

# Pressure gauges

## Mod. M043.. - M053.. - M063..

Precision class CL1,6

- » Radial connection
- » Rear connection
- » Panel mounting

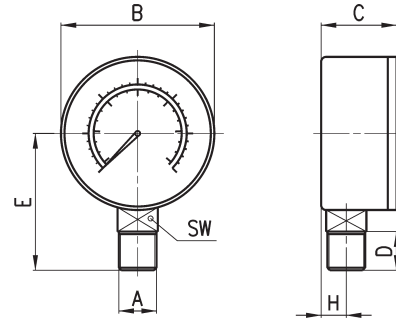


**To select the most suitable pressure gauge, the measurement range should be chosen considering the type of application according to the following criteria:**

1. Constant pressure or pressure with slow fluctuations should be within 75% of the maximum scale value.
2. Pulsing pressure or rapid fluctuations should be within 65% of the maximum scale value.
3. Pressure peaks should never exceed the maximum scale value.

Pressure gauges with radial connection

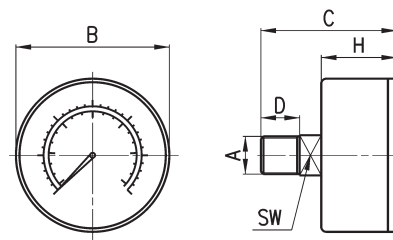
Precision class CL1,6



DIMENSIONS								
Mod.	A	B	C	D	E	H	SW	Range
<b>M043-R06</b>	R1/8	∅ 38.8	24.2	10	35.2	9	12	0-6 bar
<b>M043-R12</b>	R1/8	∅ 38.8	24.2	10	35.2	9	12	0-12 bar
<b>M053-R12</b>	R1/8	∅ 48.8	27.5	10	43	10	14	0-12 bar
<b>M063-R12</b>	R1/4	∅ 63	28.8	12	50	10	14	0-12 bar

Pressure gauges with rear connection

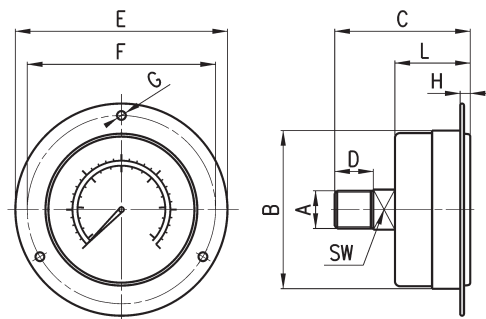
Precision class CL1,6



DIMENSIONS							
Mod.	A	B	C	D	H	SW	Range
<b>M043-P02,5</b>	R1/8	∅ 38.8	41	10	25	14	0 + 2.5 bar
<b>M043-P04</b>	R1/8	∅ 38.8	41	10	25	14	0 + 4 bar
<b>M043-P06</b>	R1/8	∅ 38.8	41	10	25	14	0 + 6 bar
<b>M043-P10</b>	R1/8	∅ 38.8	41	10	25	14	0 + 10 bar
<b>M043-P12</b>	R1/8	∅ 38.8	41	10	25	14	0 + 12 bar
<b>M053-P04</b>	R1/8	∅ 50	41.5	10	25	14	0 + 4 bar
<b>M053-P06</b>	R1/8	∅ 50	41.5	10	25	14	0 + 6 bar
<b>M053-P10</b>	R1/8	∅ 50	41.5	10	25	14	0 + 10 bar
<b>M053-P12</b>	R1/8	∅ 50	41.5	10	25	14	0 + 12 bar
<b>M063-P04</b>	R1/4	∅ 63	40.5	12	25	14	0 + 4 bar
<b>M063-P06</b>	R1/4	∅ 63	40.5	12	25	14	0 + 6 bar
<b>M063-P12</b>	R1/4	∅ 63	40.5	12	25	14	0 + 12 bar

## Pressure gauges for panel mounting

Precision class CL1,6



## DIMENSIONS

Mod.	A	B	C	D	E	F	G	H	L	SW	Range
<b>M043-F04</b>	R1/8	Ø 40.5	43	10	61	51	Ø 3.5	4	27	12	0-4 bar
<b>M043-F06</b>	R1/8	Ø 40.5	43	10	61	51	Ø 3.5	4	27	12	0-6 bar
<b>M043-F10</b>	R1/8	Ø 40.5	43	10	61	51	Ø 3.5	4	27	12	0-10 bar
<b>M043-F12</b>	R1/8	Ø 40.5	43	10	61	51	Ø 3.5	4	27	12	0-12 bar
<b>M063-F12</b>	R1/4	Ø 63	54	12	85	75	Ø 3.5	4.5	30.5	14	0-12 bar