

Series SWD electronic vacuum/pressure switches

Running out of stock

With digital display
High precision, easy to use.



- » Compact and lightweight.
- » Digital display: electronically precise switching with two separate switch outputs
- » Switching point and hysteresis programmable with the key pad.
- » Two separately programmable digital outputs allow to set the upper and lower limit value.
- » Special functions programmable: further adaption is possible.

APPLICATIONS:

- electronic vacuum/pressure switch for safety monitoring, optimization of cycle times or energy saving devices;
- it can be installed directly on the gripping point of a handling system;
- setting of the limit vacuum value and continuous vacuum control;
- user friendly and suitable for user's requirements.

Electric connections:

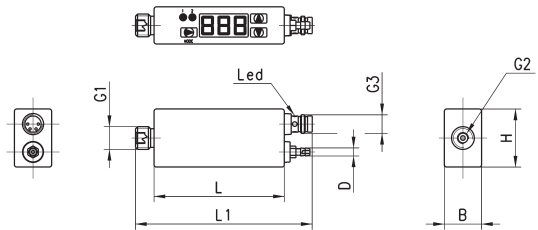
- This device operates correctly with a connector Mod. CS-DF04EG-E500 which should be ordered separately.
- Further details at the end of this section.

GENERAL DATA

Type of vacuum/pressure switch	electronic with polycarbonate housing
Connection	- vacuum connection G1/8 male thread and M5 female thread - pressure connection G1/8 male thread and M5 female
Display	3 digit display pad to regulate setting point
LED	integrated for the indication of switching state
Electric connection	with 4-pole M8 connector

CODING EXAMPLE						
SW	D	-	V00	-	P	A
SW	SERIES SW = transducer					
D	VERSION D = electronic with digital display					
V00	MEASURING RANGE V00 = from -1 to 0 bar P10 = from 0 to 10 bar					
P	POLARITY P = PNP					
A	PNEUMATIC CONNECTION A = G1/8 male thread and M5 female thread					

Vacuum/Pressure switch Series SWD



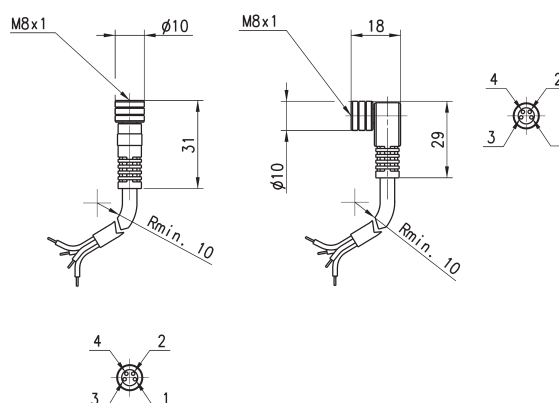
DIMENSIONS								
Mod.	B	D	G1	G2	G3	H	L	L1
SWD-V00-PA	16	-	G1/8	M5	M8	24,7	58,5	75,5
SWD-P10-PA	16	3,4	G1/8	M5	M8	24,7	58,5	75,5

TECHNICAL DATA

Mod.	SWD-V00 PA	SWD-P10-PA
Fluid	Non-aggressive gas, dry air, without lubrication.	Non-aggressive gas, dry air, without lubrication.
Measurement range	-1 ÷ 0 bar	-1 ÷ 10 bar
Max overpressure [bar]	5	16
Precision	± 1% measurement range	± 1% measurement range
Hysteresis	Settable: from 0 to 100 % of set value or comparator mode	Settable: from 0 to 100 % of set value or comparator mode
Output signal	2 digital	2 digital
Max output current [mA]	180	180
Signalling	2 x LED	2 x LED
View resolution	0,01 bar, 5 mmHg, 0,2 inHg, 1 kPa	0,01 bar, 5 mmHg, 0,2 inHg, 1 kPa
View unit	bar, mmHg, inHg, kPa	bar, mmHg, inHg, kPa
Measurement value displaying	LED 3-digit 7-segments	LED 3-digit 7-segments
Electric connection	Connector M8 4 Poles	Connector M8 4 Poles
Pneumatic connection	G1/8 male ed M5 female	G1/8 male ed M5 female
Voltage	10.8-30V DC	10.8-30V DC
Current Consumption [mA]	< 55	< 55
IP Protection	IP 40/65 (with flexible tube)	IP 40/65 (with flexible tube)
Temperature effect	± 3% measurement range	± 3% measurement range
Operating temperature	0°C ÷ 50 °C	0°C ÷ 50 °C
Weight [g]	30	30

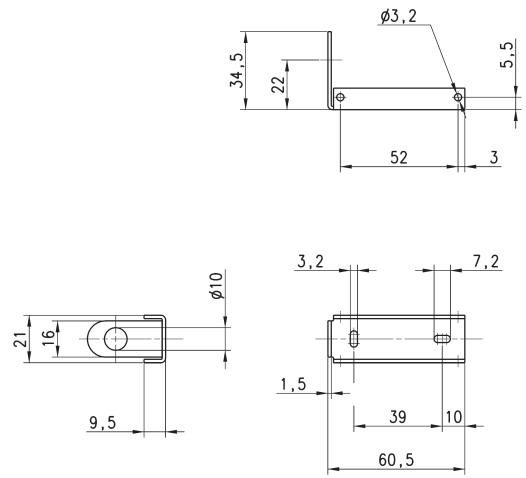
Circular M8 4-pole connectors, Female

With PU sheathing, non shielded cable.
Protection class: IP65



Mod.	Type of connector	Cable length (m)
CS-DF04EG-E200	straight	2
CS-DF04EG-E500	straight	5
CS-DR04EG-E200	right angle (90 degrees)	2
CS-DR04EG-E500	right angle (90 degrees)	5

Accessories



Mod.
SWD-B