

Series 42 cylinders

Single and double-acting, magnetic, cushioned
 Ø 32, 40, 50, 63

- » Perfect alignment
- » Different mounting options



Series 42 cylinders have been designed without tie rods to assure an extremely clean design.

Stainless steel has been used for the tube and the rod, while the end cover is made in anodized Aluminium. These cylinders are normally equipped with adjustable end-stroke cushioning and with a mechanical cushioning in order to make the impact of the piston less noisy as it reaches the end of the stroke.

GENERAL DATA

Type of construction	compact - flanged
Operation	single-acting or double-acting
Materials	end-blocks = AL tube = stainless steel AISI 304 rod = stainless steel AISI 420B other parts (see coding)
Type of mounting	front flange, rear flange, feet, front and rear trunnion, threaded pins
Strokes min - max	10 - 1000 mm
Operating temperature	0 ÷ 80°C (with dry air -20°C)
Operating pressure	1 ÷ 10 bar (double-acting); 2 ÷ 10 bar (single-acting)
Speed	10 ÷ 1000 mm/sec (NO LOAD)
Fluid	clean air, without lubrication. If lubricated air is used, it is recommended to use oil ISOVG32. Once applied the lubrication should never be interrupted.

STANDARD STROKES FOR DOUBLE-ACTING CYLINDERS SERIES 42

✕ = Double acting
 ■ = Single acting

STANDARD STROKES														
Ø	25	50	75	80	100	125	150	160	200	250	300	320	400	500
32	✕ ■	✕ ■	✕ ■	✕	✕	✕	✕	✕	✕	✕	✕	✕	✕	✕
40	✕ ■	✕ ■	✕ ■	✕	✕	✕	✕	✕	✕	✕	✕	✕	✕	✕
50	✕ ■	✕ ■	✕ ■	✕	✕	✕	✕	✕	✕	✕	✕	✕	✕	✕
63	✕ ■	✕ ■	✕ ■	✕	✕	✕	✕	✕	✕	✕	✕	✕	✕	✕

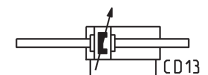
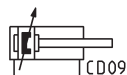
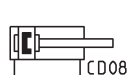
CODING EXAMPLE

42	M	2	N	050	A	0200
----	---	---	---	-----	---	------

42	SERIES	
M	VERSION M= standard magnetic	
2	OPERATION 1 = single-acting (front spring) 2 = double-acting, front and rear cushions 3 = double-acting, no cushion 4 = double-acting, rear cushions 5 = double-acting, front cushion 6 = double-acting, through-rod, front and rear cushions 7 = single-acting, through-rod, no cushions	PNEUMATIC SYMBOLS CS12 CD09 CD08 CD10 CD11 CD13 CS13
N	MATERIALS N = stainless steel AISI 420B rod - stainless steel AISI 304 tube - NBR seals	
050	BORE 032 = 32 mm 040 = 40 mm 050 = 50 mm 063 = 63 mm	
A	TYPE OF DESIGN A = standard with nose nut Mod. V and piston rod lock nut Mod. U	
0200	STROKE (see the table)	

PNEUMATIC SYMBOLS

The pneumatic symbols which have been indicated in the CODING EXAMPLE are shown below.

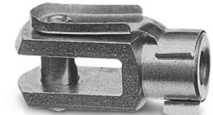


ACCESSORIES FOR CYLINDERS SERIES 42


Nose nut Mod. V


 Coupling piece
Mod. GKF

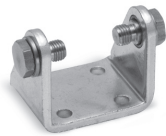
 Self aligning rod
Mod. GK

 Piston rod socket joint
Mod. GY


Rod fork end Mod. G



Foot mount Mod. P



Trunnion Mod. I



Swivel ball joint Mod. GA


 Brack threaded pins
Mod. T

 Piston rod lock nut
Mod. U

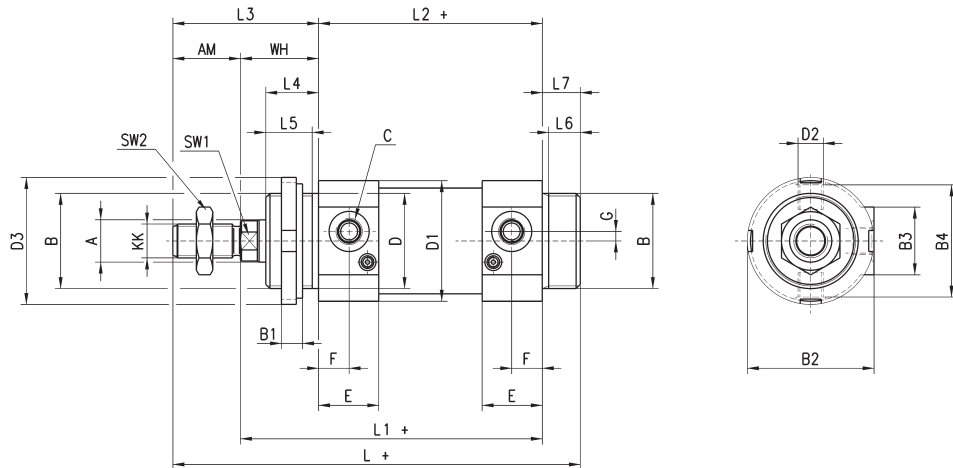

All accessories are supplied separately, except for piston rod lock Mod. U and nose nut Mod. V.

Cylinders Series 42

N.B. : sizes L, L1 and L2 in single-acting cylinders are increased by 25 mm.



+ = add the stroke
* = front/rear cushion stroke



DIMENSIONS

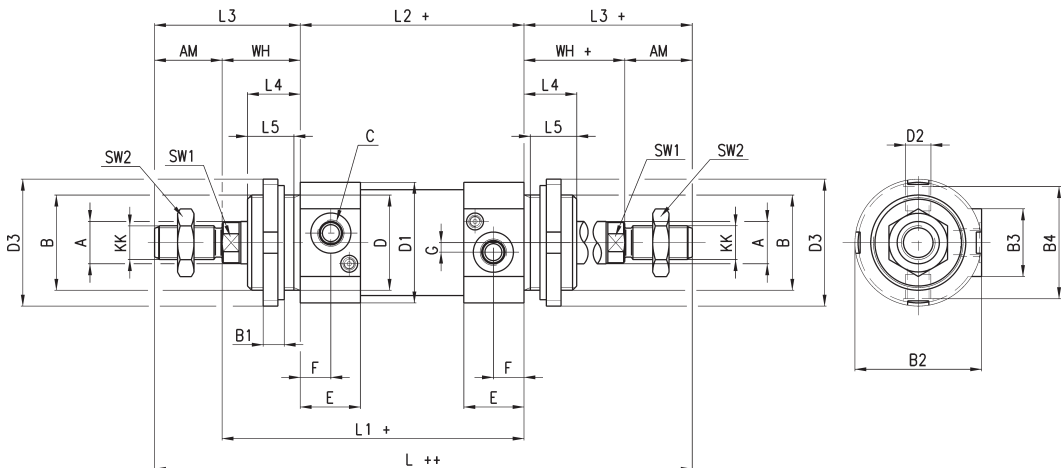
∅	A	KK	B	B1	B2	B3	B4	C	D ^{d11}	D1	D2	D3	E	F	G	SW1	SW2	AM	WH	L+	L1+	L2+	L3	L4	L5	L6	L7	*
32	12	M10x1.25	M30x1.5	8	41.5	28	36	G1/8	30	38	M8x1	42	23.5	10.5	5	10	17	22	26	156	120	94	48	18	15	11	14	17 / 12
40	16	M12x1.25	M38x1.5	10	50	30	43	G1/4	38	46	M10x1	50	29	15	5	13	19	24	30	175	135	105	54	22	19	13	16	20 / 17
50	20	M16x1.5	M45x1.5	10	58.5	32	54	G1/4	40	57	M12x1.5	60	28.5	14.5	4.5	17	24	32	37	193	143	106	69	25	22	15	18	15 / 14
63	20	M16x1.5	M45x1.5	10	70.5	46.5	66	G3/8	45	70	M14x1.5	60	35	15.5	7	17	24	32	37	208	158	121	69	25	22	15	18	17 / 16

Cylinders Series 42 - through-rod

Note: sizes L, L1 and L2 in single-acting cylinders are increased by 25 mm.



+ = add the stroke once
++ = add the stroke twice
* = front/rear cushion stroke

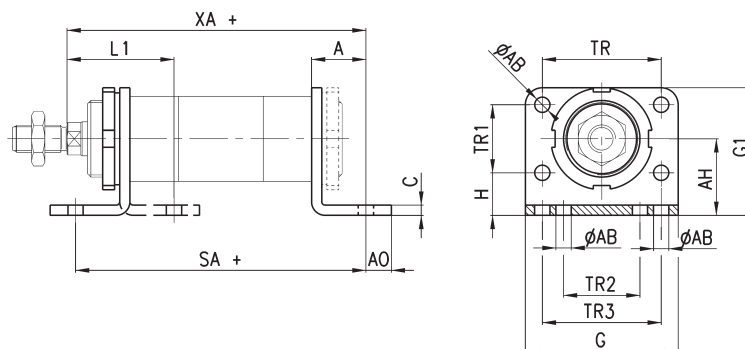


DIMENSIONS

∅	A	KK	B	B1	B2	B3	B4	C	D	D1	D2	D3	E	F	G	SW1	AM	SW2	WH+	L++	L1+	L2+	L3+	L4	L5	*
32	12	M10x1.25	M30x1.5	8	41.5	28	36	G1/8	30	38	M8x1	42	23.5	10.5	5	10	22	17	26	190	120	94	48	18	15	17 / 12
40	16	M12x1.25	M38x1.5	10	50	30	43	G1/4	38	46	M10x1	50	29	15	5	13	24	19	30	213	135	105	54	22	19	20 / 17
50	20	M16x1.5	M45x1.5	10	58.5	32	54	G1/4	45	57	M12x1.5	60	28.5	14.5	4.5	17	32	24	37	244	143	106	69	25	22	15 / 14
63	20	M16x1.5	M45x1.5	10	70.5	46.5	66	G3/8	45	70	M14x1.5	60	35	15.5	7	17	32	24	37	259	158	121	69	25	22	17 / 16

Foot mount Mod. P

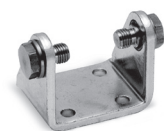
Material: zinc-plated steel.


 Supplied with:
 1x nut
 2x single feet
 + = add the stroke

DIMENSIONS

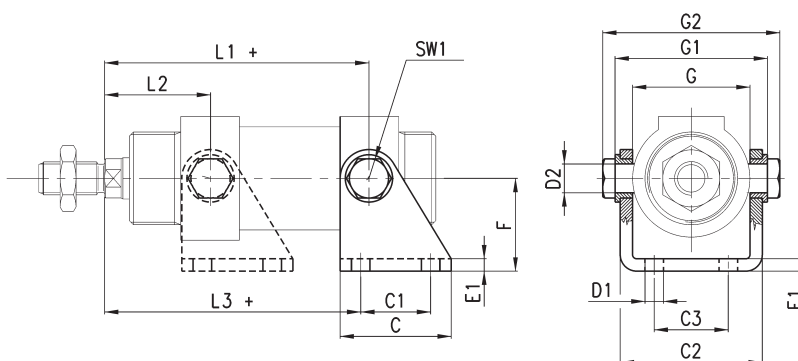
Mod.	\varnothing	L1	SA +	XA +	A	AB	AO	AH	C	G	G1	TR	TR1	TR2	TR3	H
P-42-32	32	46	142	144	24	7	11	32	4	66	53	52	28	32	52	18
P-42-40	40	53	161	163	28	9	15	36	5	80	61	60	30	36	60	21
P-42-50	50	63	170	175	32	9	15	45	6	90	75	70	40	45	70	25
P-42-63	63	63	185	190	32	9	10	50	6	96	85	76	50	50	76	25

Trunnion Mod. I

Material: zinc-plated steel.



+ = add the stroke

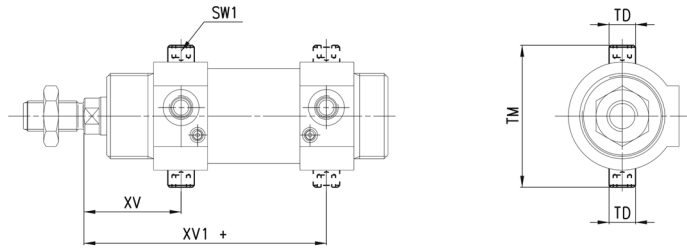

DIMENSIONS

Mod.	\varnothing	L1 +	L2	L3 +	C	C1	C2	C3	D1	D2	E1	F	SW1	G	G1	G2
I-42-32	32	109,5	36,5	105,5	40	24	46,1	20	7	10	4	35	13	38,1	50,1	58,1
I-42-40	40	120	45	117	50	30	56,1	28	9	12	5	40	17	46,1	60,1	70,1
I-42-50	50	128,5	51,5	124,5	54	34	69,1	36	9	14	6	45	19	57,1	74,1	86,1
I-42-63	63	143	52	142	65	35	82,1	42	9	16	6	50	19	70,1	88,1	100,1

Bracket with threaded pins Mod. T

Material: stainless steel

Supplied with:
2x pins



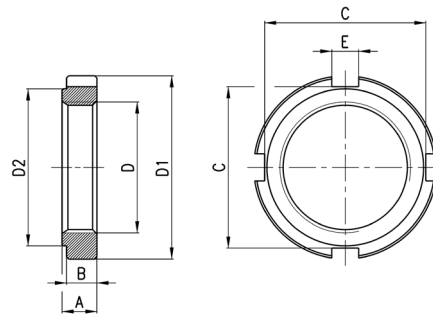
+ = add the stroke

DIMENSIONS

Mod.	∅	XV	XV1+	TD	TM	SW1
T-42-32	32	36,5	109,5	10	51	5
T-42-40	40	45	120	12	61	6
T-42-50	50	51,5	128,5	14	75	6
T-42-63	63	52	143	16	90	8

Nose nut Mod.V-42

Material: zinc-plated steel

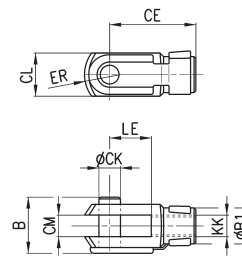


DIMENSIONS

Mod.	∅	D	D1	D2	A	B	C	E
V-42-32	32	M30x1,5	42	36	8	7	37	6,2
V-42-40	40	M38x1,5	50	48	10	9	44	7,2
V-42-50-63	50-63	M45x1,5	60	56	10	9	53	7,2

Rod fork end Mod. G

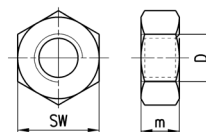
Material: stainless steel
ISO 8140



DIMENSIONS

Mod.	∅	∅CK	LE	CM	CL	ER	CE	KK	B	B1
G-25-32	32	10	20	10	20	12	40	M10X1,25	26	18
G-40	40	12	24	12	24	14	48	M12X1,25	32	20
G-50-63	50-63	16	32	16	32	19	64	M16X1,5	40	26

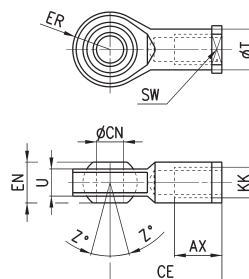
Piston rod lock Mod. U



DIMENSIONS

Mod.	∅	D	m	SW
U-25-32	32	M10X1,25	6	17
U-40	40	M12X1,25	7	19
U-50-63	50-63	M16X1,5	8	24

Swivel ball joint Mod. GA

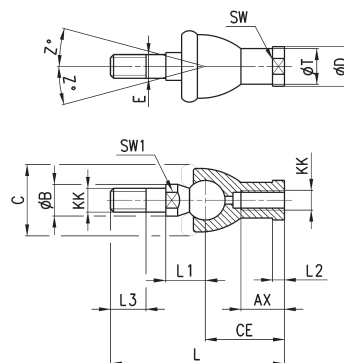
 Material: zinc-plated steel
 ISO 8139


DIMENSIONS

Mod.	∅	∅CN	U	EN	ER	AX	CE	KK	T	Z	SW
GA-32	32	10	10,5	14	14	20	43	M10X1,25	15	6,5	17
GA-40	40	12	12	16	16	22	50	M12X1,25	17,5	6,5	19
GA-50-63	50-63	16	15	21	21	28	64	M16X1,5	22	7,5	22

Piston rod socket joint Mod. GY

Material: zama and zinc-plated steel

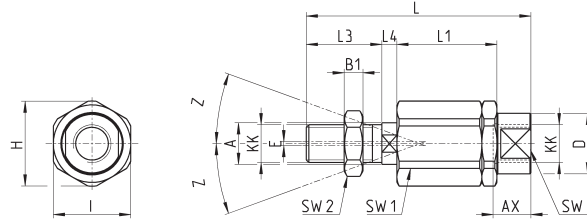


DIMENSIONS

Mod.	∅	KK	L	CE	L2	AX	SW	SW1	L1	L3	∅T	∅D	E	∅B	∅C	Z
GY-32	32	M10x1,25	74	35	6,5	18	17	11	19,5	15	15	19	10	14	28	15
GY-40	40	M12x1,25	84	40	6,5	20	19	17	22	17	17,5	22	12	19	32	15
GY-50-63	50-63	M16x1,5	112	50	8	27	22	19	27,5	23	22	27	16	22	40	11

Self aligning rod Mod. GK

Material: zinc plated steel

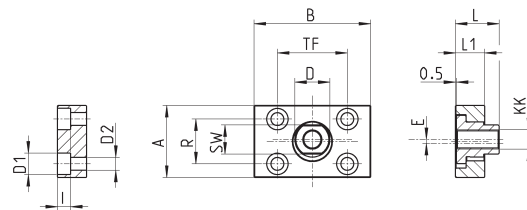
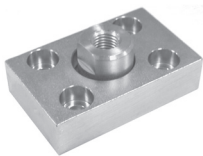


DIMENSIONS

Mod.	Ø	KK	L	L1	L3	L4	Ø A	Ø D	H	I	SW	SW1	SW2	B1	AX	Z	E
GK-25-32	32	M10x1,25	71,5	35	20	7,5	14	22	32	30	19	12	17	5	22	4	2
GK-40	40	M12x1,25	75,5	35	24	7,5	14	22	32	30	19	12	19	6	22	4	2
GK-50-63	50-63	M16x1,5	104	53	32	10	22	32	45	41	27	20	24	8	30	3	2

Coupling piece Mod. GKF

Material: zinc plated steel



DIMENSIONS

Mod.	Ø	KK	A	B	R	TF	L	L1	I	ØD	ØD1	ØD2	SW	E
GKF-25-32	32	M10x1,25	37	60	23	36	22,5	15	6,8	18	11	6,6	15	2
GKF-40	40	M12x1,25	56	60	38	42	22,5	15	9	20	15	9	15	2,5
GKF-50-63	50-63	M16x1,5	80	80	58	58	26,5	15	10,5	25	18	11	22	2,5