

Compact magnetic cylinders ISO 21287 Series 32

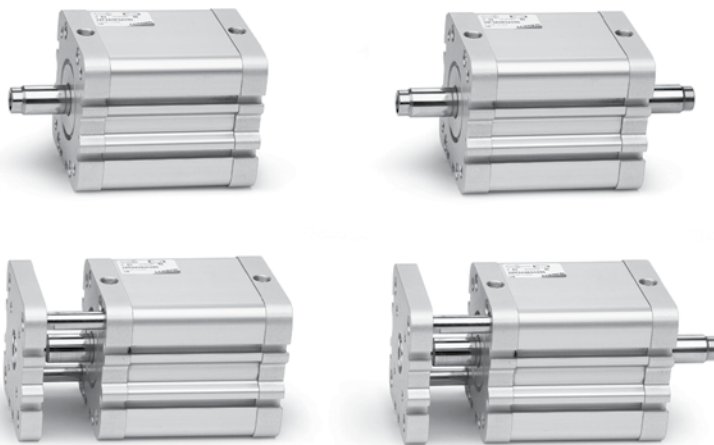
New



Single and double-acting, non-rotating
 ø 20, 25, 32, 40, 50, 63, 80, 100.



- » Compact design
- » Wide variety of models available in different diameters
- » In compliance with ISO 21287 (not for the length)



Series 32 cylinders, thanks to their compactness, are suitable for installation in confined spaces. Being in compliance with the ISO 21287 Standard, the cylinders Series 32 have the advantage that they can be used in conjunction with mountings/accessories suitable for other standard cylinders DIN/ISO 6431 / VDMA 24562 (Series 60/61).

GENERAL DATA

Construction	compact profile
Operation	single and double acting, magnetic
Materials	anodized AL body and end blocks rolled stainless steel rod AISI 303 AL piston rod seal, OR end-block and piston seal in PU high temperatures: rod seal, OR end-block and piston in FKM (140°)
Mounting	with threaded holes on the end blocks flange - feet - trunnion
Stroke min and max (1)	Series 32F, 32M, 32R Ø20-25 = 5-300 mm Series 32F, 32M, 32R Ø32-40-50-63 = 5-400 mm Series 32F, 32M, 32R Ø80-100 = 5-500 mm
Operating temperature	0°C + 80°C (with dry air -20°C)
Operating pressure	1 + 10 bar (double-acting) / 2+10 bar (single-acting)
Fluid	clean air without lubrication. If lubricated air is used it is recommended to use oil ISOVG32. Once applied the lubrication should never be interrupted.
Operation speed	10 + 1000mm/sec. (without load)

(1) the minimum stroke for the use of the sensors is 10 mm.

STANDARD STROKES FOR CYLINDERS SERIES 32

✕= Non-rotating ●= Double-acting, male/female rod thread;
 ■= Single-acting, front/rear spring, male/female rod thread.

∅	5	10	15	20	25	30	40	50	60	80
20	✕●■	✕●■	✕●■	✕●■	✕●■	✕●	✕●	✕●		
25	✕●■	✕●■	✕●■	✕●■	✕●■	✕●	✕●	✕●		
32	✕●■	✕●■	✕●■	✕●■	✕●■	✕●	✕●	✕●	✕●	✕●
40	✕●■	✕●■	✕●■	✕●■	✕●■	✕●	✕●	✕●	✕●	✕●
50		✕●■	✕●■	✕●■	✕●■	✕●	✕●	✕●	✕●	✕●
63		✕●■	✕●■	✕●■	✕●■	✕●	✕●	✕●	✕●	✕●
80		✕●■	✕●■	✕●■	✕●■	✕●	✕●	✕●	✕●	✕●
100		✕●■	✕●■	✕●■	✕●■	✕●	✕●	✕●	✕●	✕●

CODING EXAMPLE

32	M	2	A	032	A	050	
-----------	----------	----------	----------	------------	----------	------------	--

32	SERIES
M	VERSION M = male thread F = female thread R = antirotation with flange (not single-acting)
2	OPERATION 1 = single-acting 2 = double-acting 3 = double-acting through rod 4 = single-acting rear spring
A	MATERIALS anodized aluminium body, end blocks and piston – rod seal, OR end block and piston seal in PU
032	BORES 20 mm 25 mm 32 mm 40 mm 50 mm 63 mm 80 mm 100 mm
A	CONSTRUCTION A = standard
050	STROKE in mm - see table
-	S = special V = FKM rod seal W = high temperatures (double-acting, non-magnetic with FKM seals for high temperatures 140°C)

ACCESSORIES FOR SERIES 32



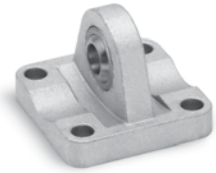
Piston rod socket joint
Mod. GY



Piston rod lock nut Mod. U



Clevis pin Mod. S



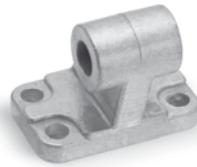
Rear trunnion ball-joint Mod. R



Coupling piece Mod. GKF
(New)



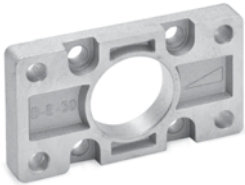
Swivel ball joint Mod. GA



90° male trunnion Mod. ZC



Swivel combination Mod.
C+L+S



Front and rear flange Mod. D-E



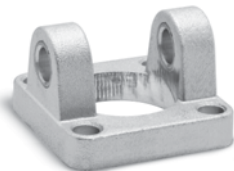
Self aligning rod Mod. GK
(New)



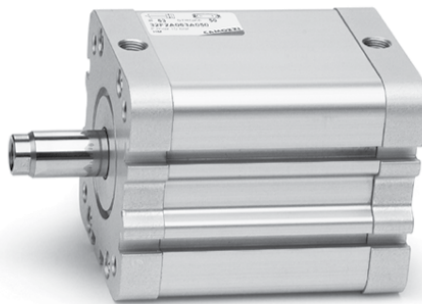
90° swivel combination for
trunnion Mod. I



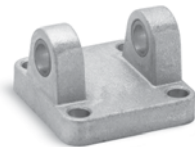
Foot mount Mod. B



Front female trunnion Mod. H
and CH



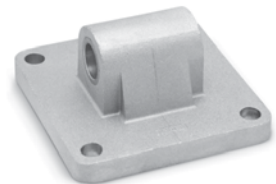
All accessories are supplied separately.



Rear female trunnion Mod. C
and CH



Rod fork end Mod. G

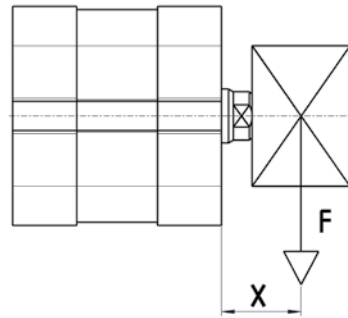
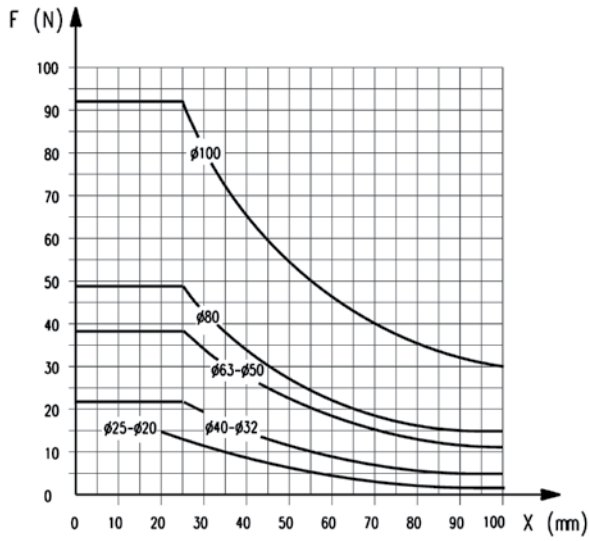


Rear trunnion male Mod. L

APPLICABLE LOADS

New

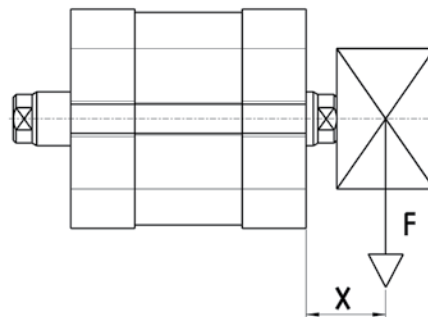
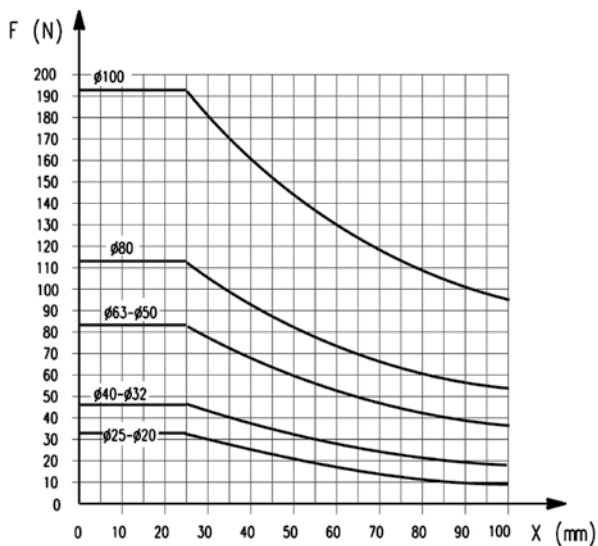
1



Standard.
Transversal load (F) dependant on stroke (X)

APPLICABLE LOADS

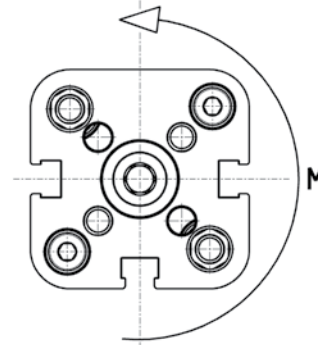
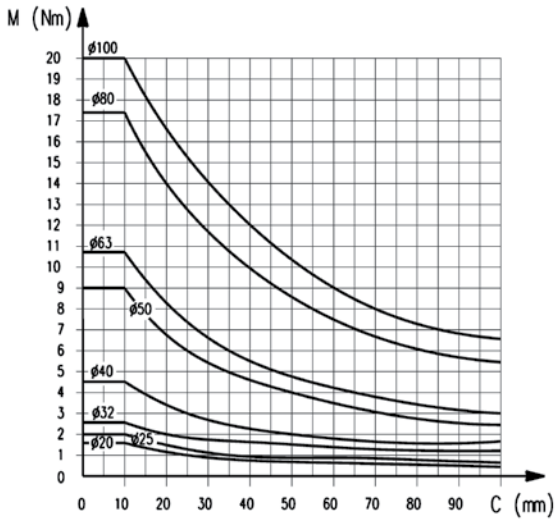
New



Standard.
Transversal load (F) dependant on stroke (X)

APPLICABLE LOADS

New

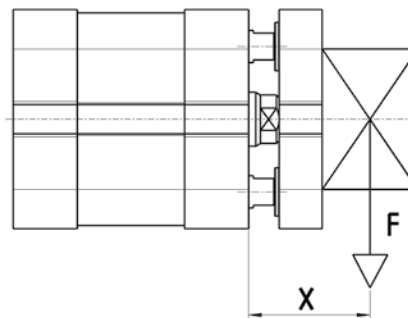
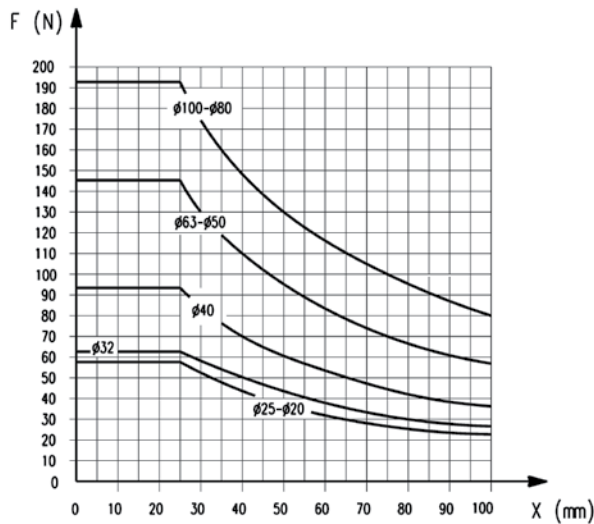


It is possible to use longer strokes as indicated in the general data (excluding radial loads and torque moments). When imposing radial loads on the cylinder it is important to respect the maximum stroke of the centre of gravity. In the presence of torque moments, respect the maximum stroke as shown in the diagrams.

Torque moment (M) dependant on stroke (C).

APPLICABLE LOADS

New

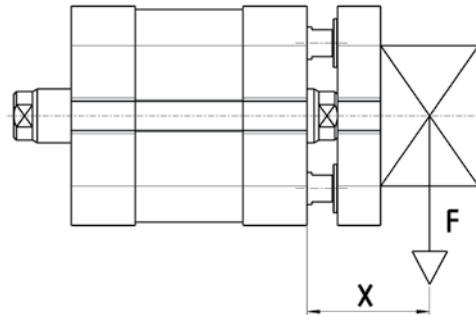
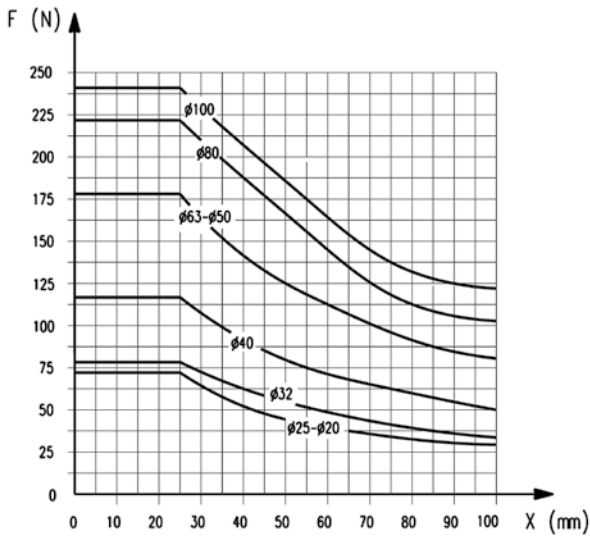


Anti-rotation.
Transversal load (F) dependant on stroke (X).

APPLICABLE LOADS

New

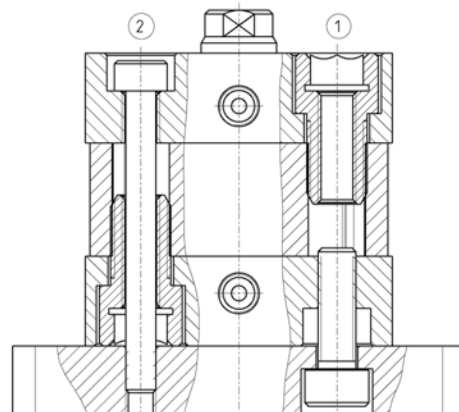
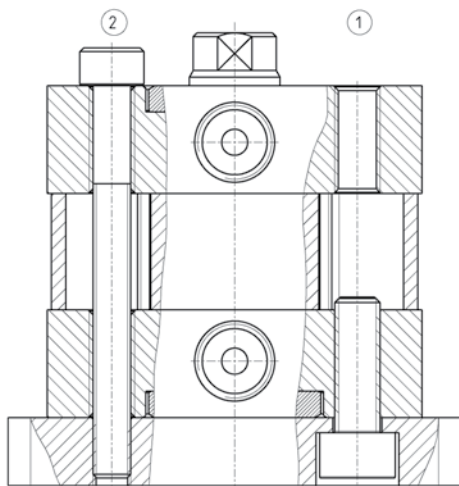
1



Anti-rotation.
Transversal load (F) dependant on stroke (X).

MOUNTING EXAMPLE

New



Mounting example for mounting cylinders $\phi 32$; 40 ; 50 ; 63 ; 80 ; 100 .

1 = Rear mounting
2 = Through mounting

N.B. For through mounting with screws through the cylinder it is recommended to use non-magnetic screws.

Mounting example for mounting cylinders $\phi 20 \div 25$.

1 = Rear mounting
2 = Through mounting

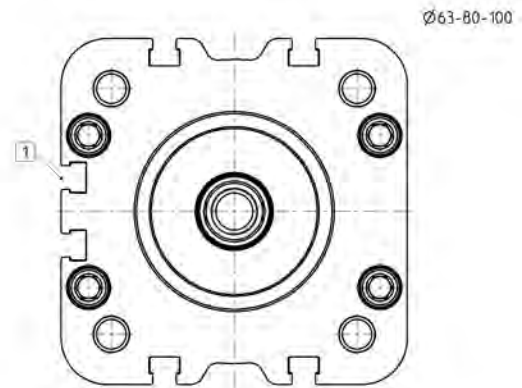
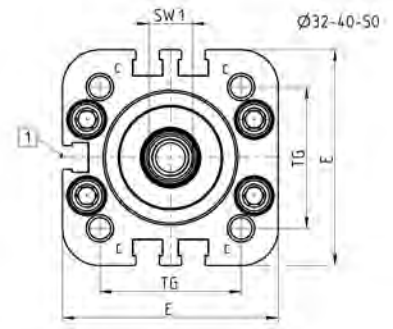
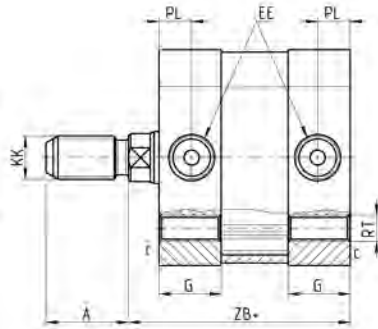
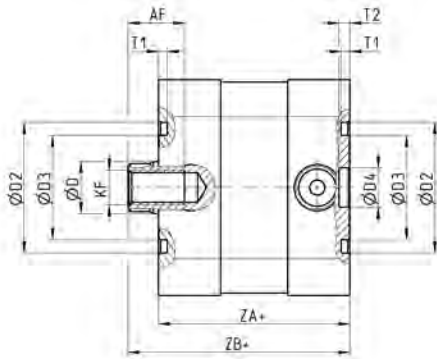
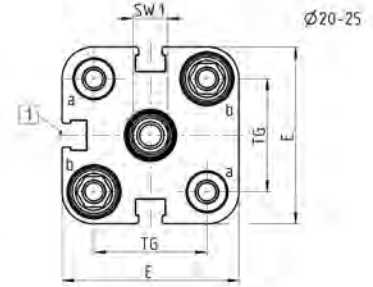
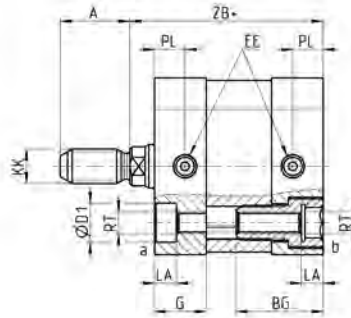
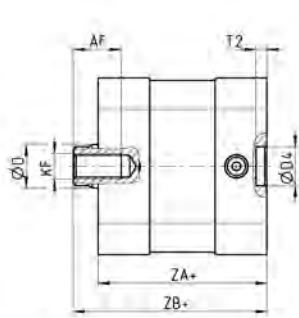
N.B. For through mounting with screws through the cylinder it is recommended to use non-magnetic screws.

Compact magnetic cylinders Mod. 32F and 32M

New



+ = add the stroke
1 = groove for sensor



DIMENSIONS

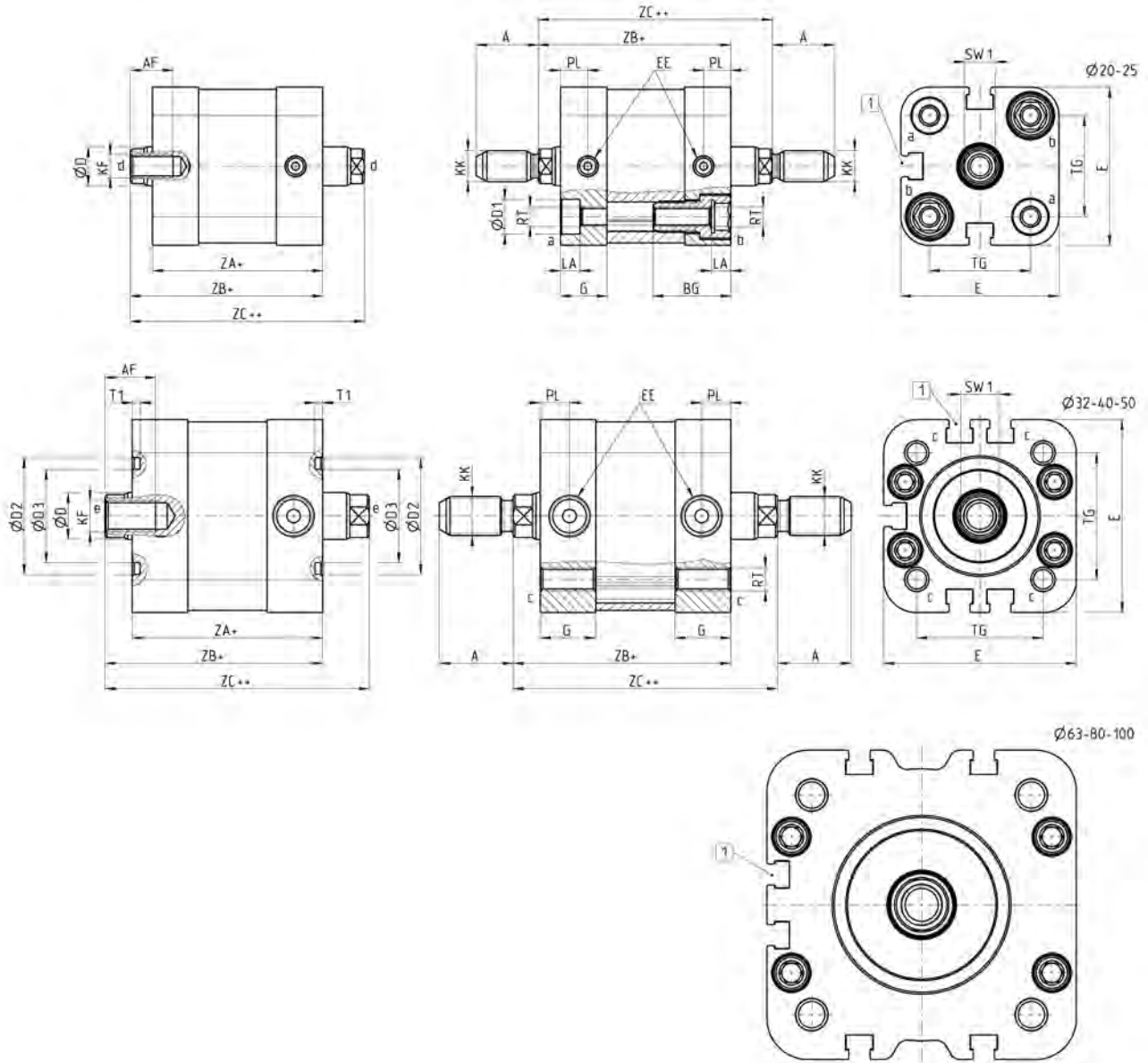
Ø	A	AF	BG	G	ØD	D1	ØD2	ØD3	ØD4	E	EE	KF	KK	LA	PL	RT	SW1	T1	T2	TG	ZA	ZB
20	16	11	20	10,9	10	9	-	-	9	35,8	M5	M6	M8X1,25	5	6,5	M5	8	-	2,5	22	36,8	42,5
25	16	11	20	11,9	10	9	-	-	9	40,7	M5	M6	M8X1,25	5	7	M5	8	-	2,5	26	38,8	44,5
32	19	13	-	14,3	12	-	30	24	9	49,6	G1/8	M8	M10X1,25	-	7,6	M6	10	2	2,5	32,5	44	51
40	19	13	-	14,3	12	-	35	29	9	57	G1/8	M8	M10X1,25	-	7,6	M6	10	2	2,5	38	45	52
50	22	16	-	14,3	16	-	40	34	12	69,6	G1/8	M10	M12X1,25	-	7,6	M8	13	2	3	46,5	45	53
63	22	16	-	14	16	-	45	39	12	79,6	G1/8	M10	M12X1,25	-	7,6	M8	13	2	3	56,5	49	57
80	28	20	-	14,8	20	-	45	39	12	95,6	G1/8	M12	M16X1,5	-	7,7	M10	17	2	3	72	54	63,5
100	28	20	-	17,8	25	-	55	49	12	115,6	G1/8	M12	M16X1,5	-	8	M10	22	2	3	89	66,8	76,5

Compact magnetic cylinders Mod. 32F3 and 32M3

New



+ = add the stroke
 ++ = add the stroke two times
 1 = groove for sensor



DIMENSIONS																					
Ø	A	AF	BG	G	ØD	ØD1	ØD2	ØD3	E	EE	KF	KK	LA	PL	RT	SW1	T1	TG	ZA	ZB	ZC
20	16	11	20	10,9	10	9	-	-	35,8	M5	M6	M8X1,25	5	6,5	M5	8	-	22	36,8	42,5	48,2
25	16	11	20	11,9	10	9	-	-	40,7	M5	M6	M8X1,25	5	7	M5	8	-	26	38,8	44,5	50,2
32	19	13	-	14,3	12	-	30	24	49,6	G1/8	M8	M10X1,25	-	7,6	M6	10	2	32,5	44	51	58
40	19	13	-	14,3	12	-	35	29	57	G1/8	M8	M10X1,25	-	7,6	M6	10	2	38	45	52	59
50	22	16	-	14,3	16	-	40	34	69,6	G1/8	M10	M12X1,25	-	7,6	M8	13	2	46,5	45	53	61
63	22	16	-	14	16	-	45	39	79,6	G1/8	M10	M12X1,25	-	7,6	M8	13	2	56,5	49	57	65
80	28	20	-	14,8	20	-	45	39	95,6	G1/8	M12	M16X1,5	-	7,7	M10	17	2	72	54	63,5	73
100	28	20	-	17,8	25	-	55	49	115,6	G1/8	M12	M16X1,5	-	8	M10	22	2	89	66,8	76,5	86,2

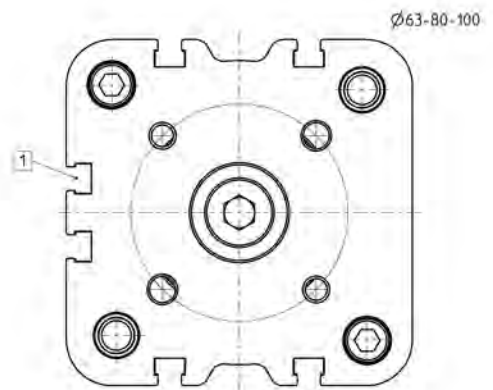
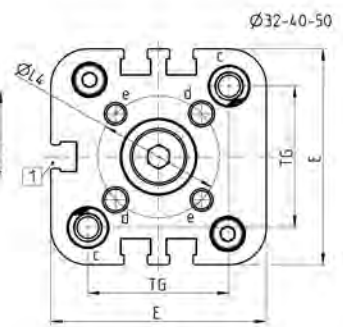
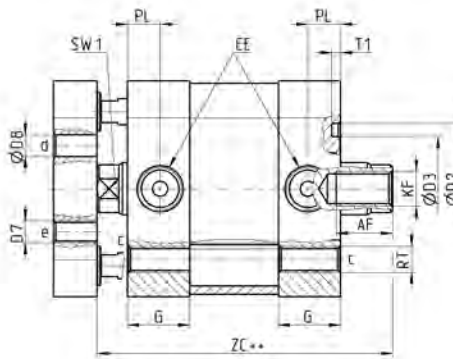
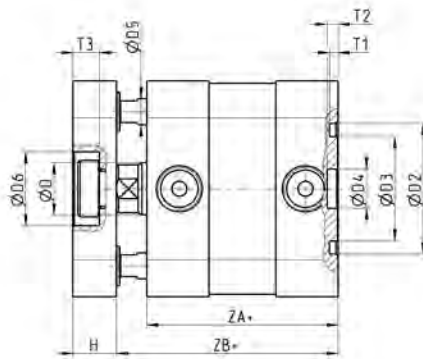
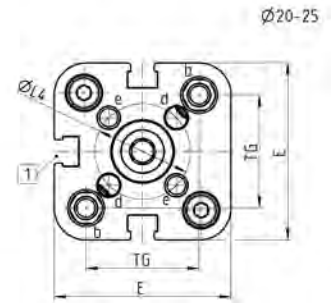
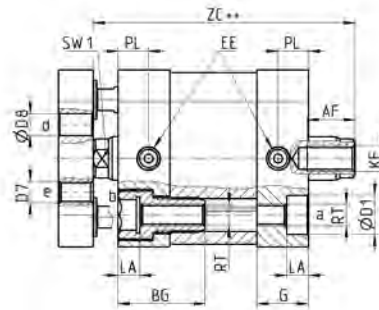
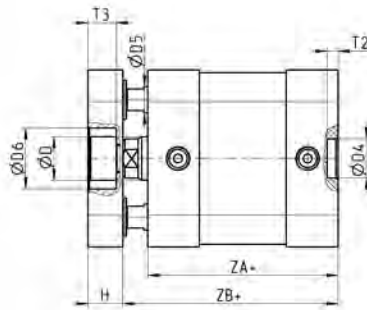
The company reserves the right to vary models and dimensions without notice.
 Products designed for industrial applications. Sale to general public is forbidden.

Compact magnetic cylinders Mod. 32R

New



+ = add the stroke
 ++ = add the stroke two times
 1 = groove for sensor



DIMENSIONS

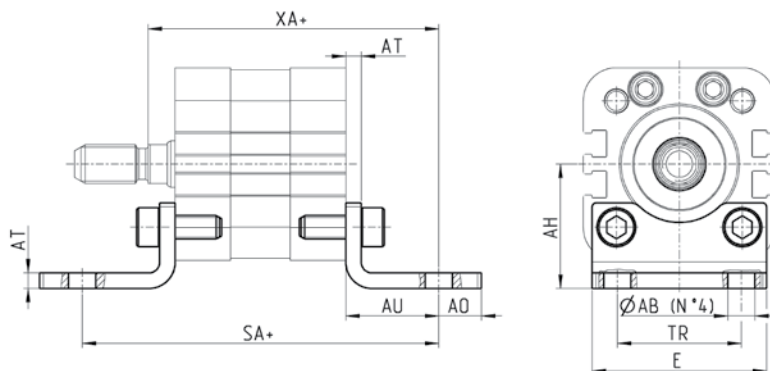
Ø	AF	BG	G	ØD	ØD1	ØD2	ØD3	ØD4	ØD5	ØD6	D7	ØD8	E	EE	H	KF	LA	ØL4	PL	RT	SW1	T1	T2	T3	TG	ZA	ZB	ZC
20	11	20	10,9	10	9	-	-	9	6	-	M4	4	35,8	M5	8	M6	5	17	6,5	M5	8	-	2,5	-	22	36,8	42,5	48,2
25	11	20	11,9	10	9	-	-	9	6	14	M5	5	40,7	M5	8	M6	5	22	7	M5	8	-	2,5	6,5	26	38,8	44,5	50,2
32	13	-	14,3	12	-	30	24	9	6	17	M5	5	49,6	G1/8	10	M8	-	28	7,6	M6	10	2	2,5	6	32,5	44	51	58
40	13	-	14,3	12	-	35	29	9	6	17	M5	5	57	G1/8	10	M8	-	33	7,6	M6	10	2	2,5	6	38	45	52	59
50	16	-	14,3	16	-	40	34	12	10	22	M6	6	69,6	G1/8	12	M10	-	42	7,6	M8	13	2	3	7	46,5	45	53	61
63	16	-	14	16	-	45	39	12	10	22	M6	6	79,6	G1/8	12	M10	-	50	7,6	M8	13	2	3	7	56,5	49	57	65
80	20	-	14,8	20	-	45	39	12	12	24	M8	8	95,6	G1/8	14	M12	-	65	7,7	M10	17	2	3	10,5	72	54	63,5	73
100	20	-	18	25	-	55	49	12	12	24	M10	10	115,6	G1/8	14	M12	-	80	8	M10	22	2	3	10,5	89	66,8	77,5	86,2

Foot mount Mod. B

Material: zinc-plated steel



Supplied with:
2x feet
4x screws
+ = add the stroke



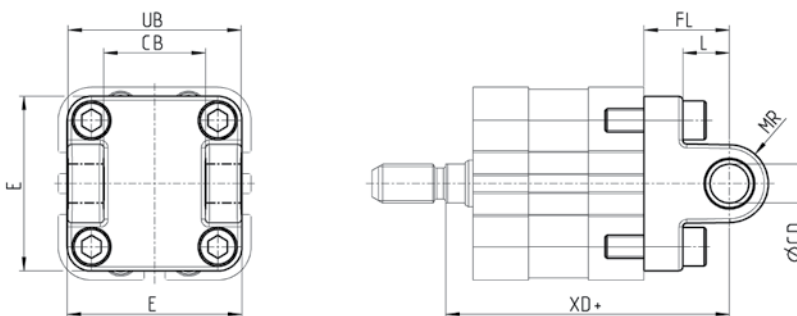
DIMENSIONS										
Mod.	Ø	øAB	AH	AO	AU	AT	E	TR	SA	XA
B-32-20	20	6,5	27	9	16	4	35	22	68,8	58,5
B-31-25	25	6,5	29	9	16	4	39	26	70,8	60,5
B-41-32	32	7	32	11	24	4	45	32	92	75
B-41-40	40	10	36	15	28	4	53,5	36	101	80
B-41-50	50	10	45	15	32	4	62,5	45	109	85
B-41-63	63	10	50	15	32	5	73	50	113	89
B-41-80	80	12	63	20	41	6	92	63	136	104,5
B-41-100	100	14,5	71	25	41	6	108,5	71	148,8	117,5

Rear female trunnion Mod. C and CH

Material: aluminium



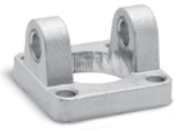
Supplied with:
1x female trunnion
4x screws
+ = add the stroke



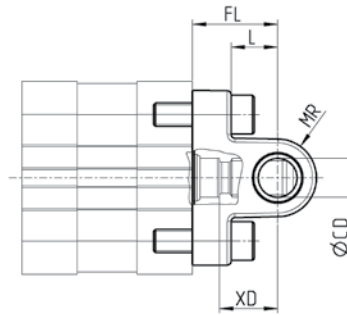
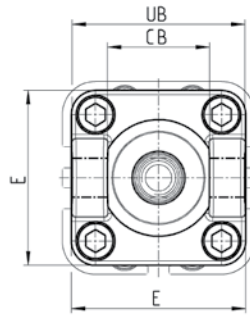
DIMENSIONS									
Mod.	Ø	øCD	E	CB	UB	L	FL	MR	XD
C-41-32	32	10	45	26	45	12	22	10	73
C-41-40	40	12	53,5	28	52	15	25	12	77
C-41-50	50	12	62,5	32	60	15	27	13	80
C-H-41-63	63	16	73	40	70	20	32	17	89
C-H-41-80	80	16	92	50	90	24	36	17	99,5
C-H-41-100	100	20	108,5	60	110	29	41	21	117,5

Front female trunnion Mod. H and CH

Material: aluminium



Supplied with:
1x female trunnion
4x screws



DIMENSIONS

Mod.	Ø	ØCD	E	CB	UB	L	FL	MR	XD
H-41-32	32	10	45	26	45	12	22	10	15
H-41-40	40	12	53,5	28	52	15	25	12	18
H-41-50	50	12	62,5	32	60	15	27	13	19
H-80-63	63	16	73	40	70	20	32	17	24
C-H-41-80	80	16	92	50	90	24	36	17	26,5
C-H-41-100	100	20	108,5	60	110	29	41	21	31,3

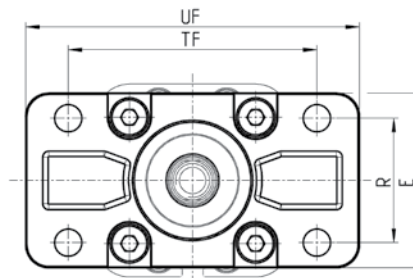
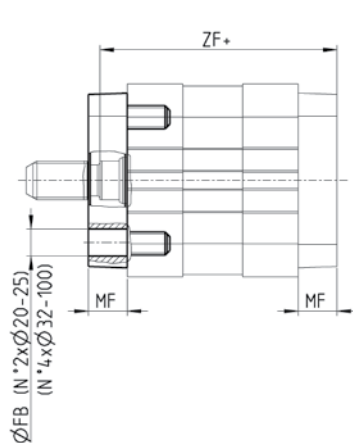
Front and rear flange Mod. D-E

Material: zinc-plated steel for Ø 20 - 25
Aluminium for Ø32+100



Supplied with:
1x flange
4x screws

+ = add the stroke



DIMENSIONS

Mod.	Ø	ØFB	E	MF	R	TF	UF	ZF
D-E-32-20	20	6,6	36	10	-	55	70	52,5
D-E-32-25	25	6,6	40	10	-	60	76	54,5
D-E-41-32	32	7	45	10	32	64	86	61
D-E-41-40	40	9	52	10	36	72	88	62
D-E-41-50	50	9	63	12	45	90	110	65
D-E-41-63	63	9	73	12	50	100	116	69
D-E-41-80	80	12	95	16	63	126	148	79,5
D-E-41-100	100	14	115	16	75	150	176	92,5

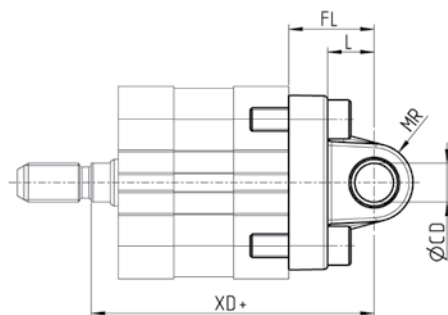
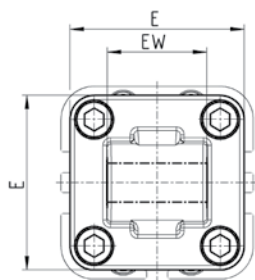
Rear trunnion male Mod. L

Material: aluminium



Supplied with:
1x male trunnion
4x screws

+ = add the stroke

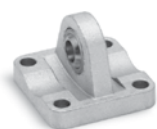


DIMENSIONS

Mod.	Ø	øCD	E	EW	L	FL	MR	XD
L-32-20	20	8	34	16	14	20	8	62,5
L-32-25	25	8	38	16	14	20	8	64,5
L-41-32	32	10	45	26	12	22	10	73
L-41-40	40	12	53,5	28	15	25	13	77
L-41-50	50	12	62,5	32	15	27	13	80
L-41-63	63	16	73	40	20	32	17	89
L-41-80	80	16	92	50	24	36	17	99,5
L-41-100	100	20	108,5	60	29	41	21	117,5

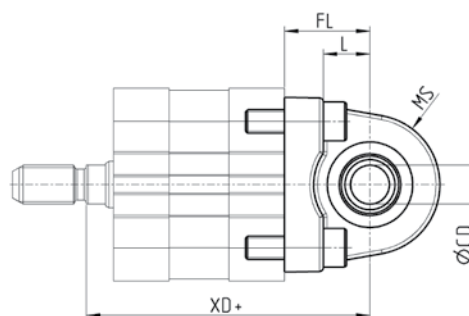
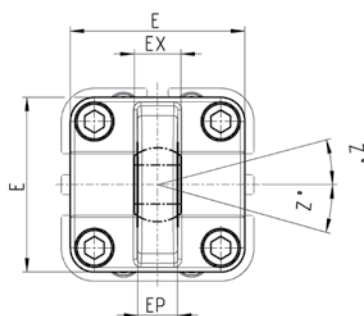
Rear trunnion ball-joint Mod. R

Material: aluminium



Supplied with:
1x ball joint
4x screws

+ = add the stroke

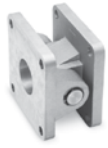


DIMENSIONS

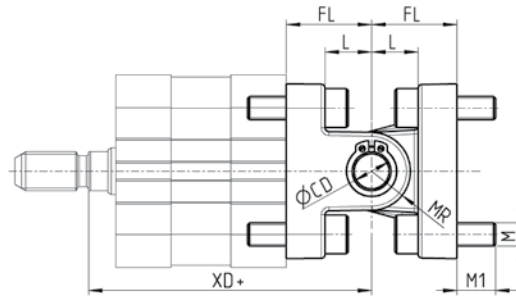
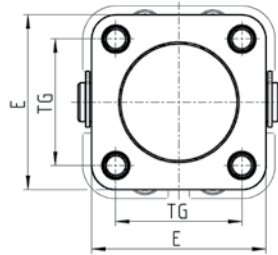
Mod.	Ø	øCD	E	EX	EP	L	FL	MS	XD	Z°
R-41-32	32	10	45	14	10,5	12	22	18	18	4
R-41-40	40	12	53,5	16	12	15	25	18	18	4
R-41-50	50	12	62,5	16	12	15	27	21	21	4
R-41-63	63	16	73	21	15	20	32	23	23	5
R-41-80	80	16	92	21	15	24	36	36	28	5
R-41-100	100	20	108,5	25	18	29	41	41	30	5

Accessory combination Mod. C+L+S

Material: aluminium



+ = add the stroke



DIMENSIONS

Mod.	∅	∅CD	E	L	FL	M	M1	MR	TG	XD
C+L+S	32	10	45	12	22	M6	10	10	32,5	73
C+L+S	40	12	53,5	15	25	M6	10	12	38	77
C+L+S	50	12	62,5	15	27	M8	13	13	46,5	80
C+L+S	63	16	73	20	32	M8	13	17	56,5	89
C+L+S	80	16	92	24	36	M10	16	17	72	99,5
C+L+S	100	20	108,5	29	41	M10	16	21	89	117,5

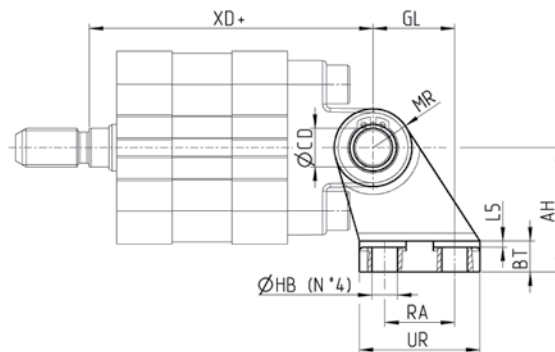
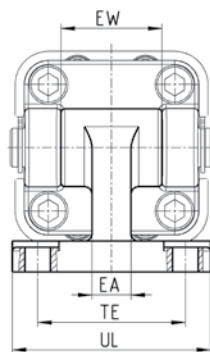
90° male trunnion Mod. ZC

Material: aluminium



Supplied with:
1x male support

+ = add the stroke



DIMENSIONS

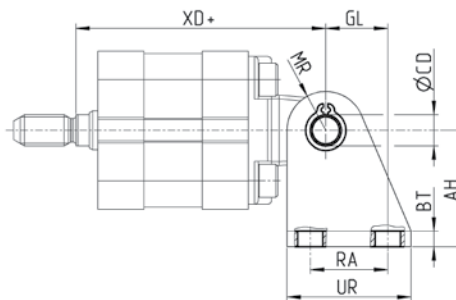
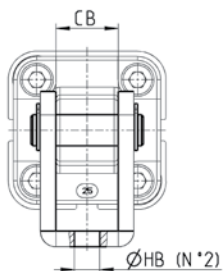
Mod.	∅	AH	BT	∅CD	EA	EW	GL	∅HB	L5	MR	RA	UL	UR	TE	XD
ZC-32	32	32	8	10	10	26	21	6,6	1,6	10	18	51	31	38	73
ZC-40	40	36	10	12	15	28	24	6,6	1,6	11	22	54	35	41	77
ZC-50	50	45	12	12	16	32	33	9	1,6	13	30	65	45	50	80
ZC-63	63	50	14	16	16	40	37	9	1,6	15	35	67	50	52	89
ZC-80	80	63	14	16	20	50	47	11	2,5	15	40	86	60	66	99,5
ZC-100	100	71	17	20	20	60	55	11	2,5	19	50	96	70	76	117,5

90° swivel combination for trunnion Mod. I

Material: aluminium



+ = add the stroke



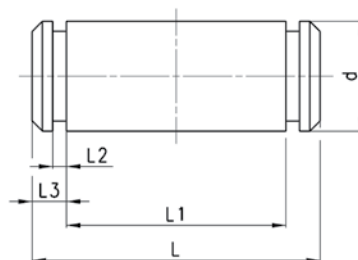
DIMENSIONS

Mod.	Ø	AT	BT	ØCD	CB	GL	ØHB	MR	RA	UR	XD
I-20-25	20	30	4	8	16,1	16	6,5	10	20	32	62,5
I-20-25	25	30	4	8	16,1	16	6,5	10	20	32	64,5

Clevis pin Mod. S



Supplied with:
1x clevis pin (stainless steel)
2x Seeger (steel)

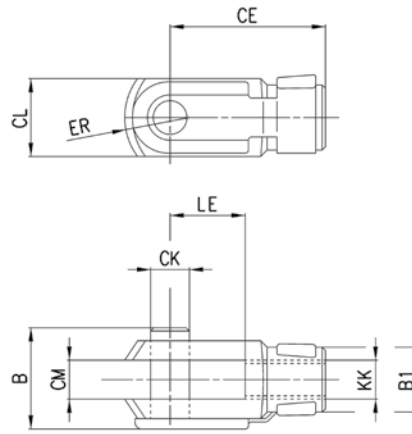


DIMENSIONS

Mod.	Ø	D	L	L1	L2	L3
S-32	32	10	52	46	1,1	3
S-40	40	12	59	53	1,1	3
S-50	50	12	67	61	1,1	3
S-63	63	16	77	71	1,1	3
S-80	80	16	97	91	1,1	3
S-100	100	20	121	111	1,3	5

Rod fork end Mod. G

Material zinc-plated steel
ISO 8140

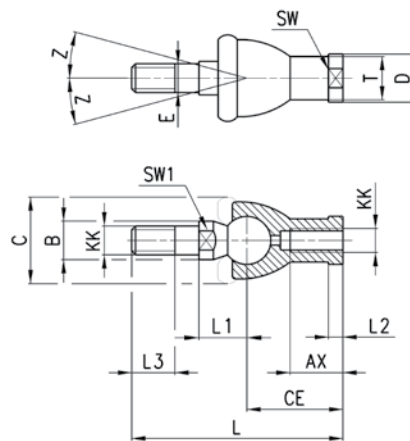


DIMENSIONS

Mod.	∅	∅CK	LE	CM	CL	ER	CE	KK	B	∅B1
G-20	20-25	8	16	8	16	10	32	M8X1,25	22	14
G-25-32	32-40	10	20	10	20	12	40	M10x1,25	26	18
G-40	50-63	12	24	12	24	14	48	M12x1,25	32	20
G-50-63	80-100	16	32	16	32	19	64	M16x1,5	40	26

Piston rod socket joint Mod. GY

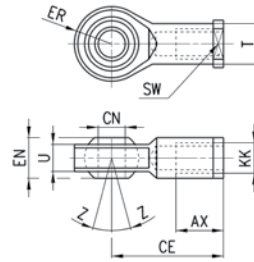
Material: zinc-plated steel and zama



DIMENSIONS

Mod.	∅	KK	L	CE	L2	AX	SW	SW1	L1	L3	∅T	∅D	E	∅B	∅C	Z
GY-20	20-25	M8X1,25	65	32	5	16	14	10	16	12	12,5	13	6	10	20	15
GY-25-32	32-40	M10X1,25	74	35	6,5	18	17	11	19,5	15	15	19	10	14	28	15
GY-40	50-63	M12X1,25	84	40	6,5	20	19	17	21	17	17,5	22	12	19	32	15
GY-50-63	80-100	M16X1,5	112	50	8	27	22	19	27,5	23	22	27	16	22	40	11

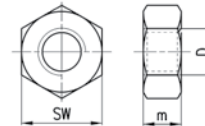
Swivel ball joint Mod. GA



DIMENSIONS											
Mod.	∅	\varnothing_{CN}	U	EN	ER	AX	CE	KK	\varnothing_T	Z	SW
GA-20	20-25	8	9	12	12	16	36	M8X1,25	12,5	6,5	14
GA-32	32-40	10	10,5	14	14	20	43	M10x1,25	15	6,5	17
GA-40	50-63	12	12	16	16	22	50	M12X1.25	17,5	6,5	19
GA-50-63	80-100	16	15	21	21	28	64	M16x1,5	22	7,5	22

Piston rod lock nut Mod. U

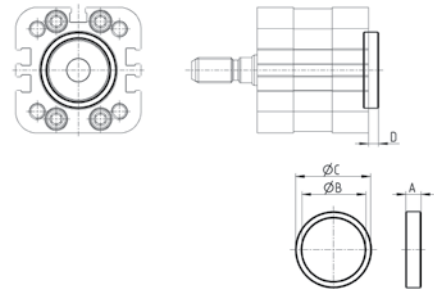
Material: zinc-plated steel
UNI EN ISO 4035



DIMENSIONS					
Mod.	∅	D	M	SW	
U-20	20-25	M8X1.25	5	13	
U-25-32	32-40	M10X1,25	6	17	
U-40	50-63	M12X1,25	7	19	
U-50-63	80-100	M16X1,5	8	24	

Centring sleeve Mod. TR

Supplied with:
1x centring ring
Designed for the centring of both the rear and front end caps with brackets Mod. B/D-E/C/C-H/H/L/R, as for the centring of the cylinder while mounting.



New

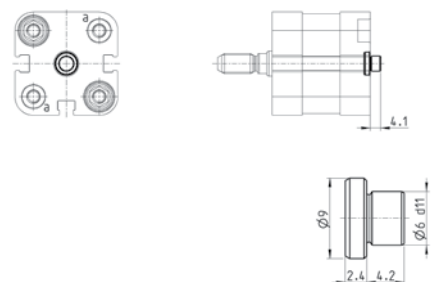
DIMENSIONS					
Mod.	∅	A	\varnothing_B	\varnothing_C	D
TR-32-32	32	6	25	30	4
TR-32-40	40	6	30	35	4
TR-32-50	50	6	35	40	4
TR-32-63	63-80	7	40	45	5
TR-32-100	100	7	50	55	5

Material: anodized aluminium

Centring pin Mod. TS-32-20

Designed both for the centring of the rear end caps with brackets L-32-20 / L-32-25 as for the centring of the cylinder while mounting.
N.B. Also suitable to use in holes "a" of the rear and front end caps of cylinders ∅20-∅25 or in the central hole of the rear end caps of cylinders ∅32-∅40.

Supplied with:
1x centring pin



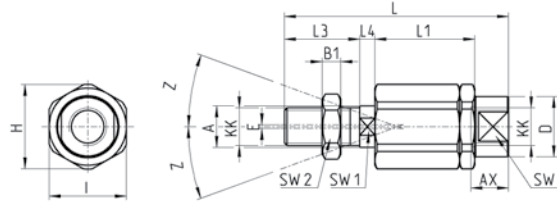
New

Material: anodized aluminium

Self aligning rod Mod. GK

New

Only for cylinders with male rod.

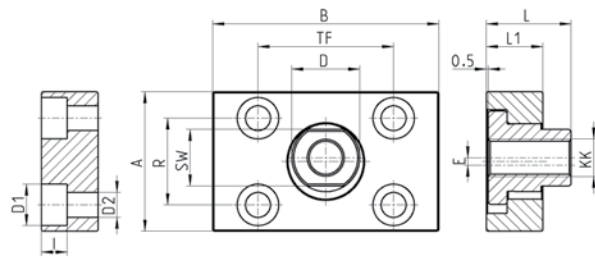
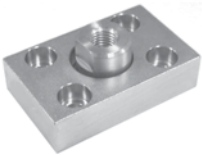


DIMENSIONS

Mod.	∅	KK	L	L1	L3	L4	∅A	∅D	H	I	SW	SW1	SW2	B1	AX	Z	E
GK-20	20-25	M8x1,25	57	26	21	5	8	12,5	19	17	11	7	13	4	16	4	2
GK-25-32	32-40	M10x1,25	71,5	35	20	7,5	14	22	32	30	19	12	17	5	22	4	2
GK-40	50-63	M12x1,25	75,5	35	24	7,5	14	22	32	30	19	12	19	6	22	4	2
GK-50-63	80-100	M16x1,5	104	53	32	10	22	32	45	41	27	20	24	8	30	3	2

Coupling piece Mod. GKF

New



DIMENSIONS

Mod.	∅	KK	A	B	R	TF	L	L1	I	∅D	∅D1	∅D2	SW	E
GKF-20	20-25	M8x1,25	30	35	20	25	22,5	10	-	14	5,5	-	13	1,5
GKF-25-32	32-40	M10x1,25	37	60	23	36	22,5	15	6,8	18	11	6,6	15	2
GKF-40	50-63	M12x1,25	56	60	38	42	22,5	15	9	20	15	9	15	2,5
GKF-50-63	80-100	M16x1,5	80	80	58	58	26,5	15	10,5	25	18	11	22	2,5