

Series 6000 super-rapid fittings for plastic tubes

Tube external diameters: 3, 4, 5, 6, 8, 10, 12, 14, 16 mm
 Fittings threads: metric (M3, M5, M6, M7), BSP (G1/8, G1/4, G3/8, G1/2, G3/4), BSPT (R1/8, R1/4, R3/8, R1/2)



Series 6000 super-rapid fittings have been designed with a special collet which provides an homogeneous tight on the whole surface of plastic tubes, thus ensuring high reliability and a long service life, also after connections and disconnections of the tube are repeated several times. The wide range of these fittings includes many types of threads: metric, BSP and BSPT.

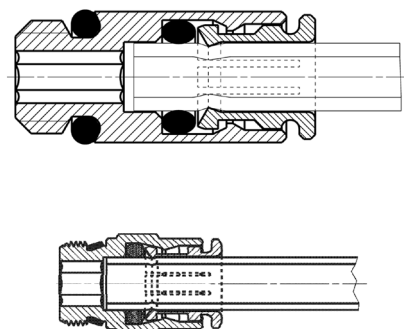
Sprint models are characterized by great reliability of female threads, both BSP and BSPT, with non-flat surfaces. This is possible thanks to a Teflon ring on the male thread, which guarantees a perfect seal between the two threads.

» The “Stop Fitting” model is available with a self-retaining device which interrupts the air flow when the tube is disconnected and restores it when reconnected.

GENERAL DATA

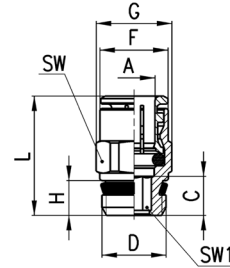
| | |
|------------------------|---|
| Diameters | ø 4 - 5 - 6 - 8 - 10 - 12 - 14 - 16 mm Micro models: ø 3 - 4 - 6 - 8 - 10 mm |
| Threads | GAS conical ISO 7 (BSPT) GAS cylindrical ISO 228 (BSP); M5-M6 and other metric threads available on request; NPT on request Micro models: M3 - M5 - M7 - G1/8 - G1/4 |
| Temperature | -20°C ÷ 80°C (see the technical data of tubing used) Micro models: -10°C ÷ 80°C (see the technical data of tubing used) |
| Tube to connect | Rilsan, PA 6-11-12, Polyethylene, PU, Hytel Polyester |
| Fluid | compressed air (for other types of fluid, contact our engineers) |
| Materials | standard models: body and collet in nickel-plated brass, O-Ring in NBR, thread seals in PTFE - NBR - PA models with self-retaining device: body and collet in nickel-plated brass, poppet valve in brass, spring in stainless steel, O-Ring in NBR, thread seals in PTFE |
| Pressure | standard models: min -0,9 bar - max 16 bar (see tubing) models with self-retaining device: 0 ÷ 16 bar |

Fitting with connecting tube



Fittings Mod. S6510

Male Connector Sprint®

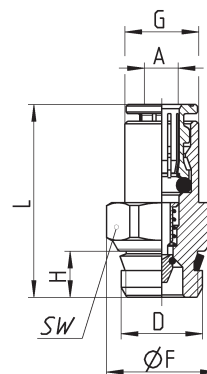


| DIMENSIONS | | | | | | | | | | |
|--------------|----|------|------|------|------|-----|------|----|-----|------------|
| Mod. | A | D | C | F | G | H | L | SW | SW1 | Weight (g) |
| S6510 4-1/8 | 4 | G1/8 | 3.8 | 8.8 | 13.2 | 5.5 | 18 | 12 | 2.5 | 9 |
| S6510 4-1/4 | 4 | G1/4 | 5.5 | 8.8 | 15.2 | 7 | 19.5 | 14 | 2.5 | 15 |
| S6510 5-1/8 | 5 | G1/8 | 3.8 | 9.8 | 13.2 | 5.5 | 19 | 12 | 3 | 8 |
| S6510 5-1/4 | 5 | G1/4 | 5.5 | 9.8 | 15.2 | 7 | 20 | 14 | 3 | 14 |
| S6510 6-1/8 | 6 | G1/8 | 6 | 11.7 | 13.2 | 5.5 | 22 | 12 | 4 | 10 |
| S6510 6-1/4 | 6 | G1/4 | 5.5 | 11.7 | 15.2 | 7 | 21 | 14 | 4 | 14 |
| S6510 6-3/8 | 6 | G3/8 | 6.5 | 11.7 | 20.5 | 8 | 22.5 | 19 | 4 | 27 |
| S6510 8-1/8 | 8 | G1/8 | 7.5 | 13.7 | 15.2 | 5.5 | 25 | 14 | 5 | 13 |
| S6510 8-1/4 | 8 | G1/4 | 6.5 | 13.7 | 15.2 | 7 | 24 | 14 | 6 | 14 |
| S6510 8-3/8 | 8 | G3/8 | 6 | 13.7 | 20.5 | 8 | 23.5 | 19 | 6 | 25 |
| S6510 8-1/2 | 8 | G1/2 | 7.5 | 13.7 | 24.5 | 9 | 25 | 22 | 6 | 43 |
| S6510 10-1/4 | 10 | G1/4 | 8.3 | 15.4 | 18.5 | 7 | 28.5 | 17 | 7 | 23 |
| S6510 10-3/8 | 10 | G3/8 | 5.3 | 15.4 | 20.5 | 8 | 25.5 | 19 | 8 | 27 |
| S6510 10-1/2 | 10 | G1/2 | 4.8 | 16 | 24.5 | 9 | 25 | 22 | 8 | 39 |
| S6510 12-1/4 | 12 | G1/4 | 10.3 | 18.3 | 20.5 | 7 | 29.5 | 19 | 7 | 26 |
| S6510 12-3/8 | 12 | G3/8 | 9.3 | 18.3 | 20.5 | 8 | 28.5 | 19 | 9 | 30 |
| S6510 12-1/2 | 12 | G1/2 | 5.8 | 18.3 | 24.5 | 9 | 25 | 22 | 10 | 36 |
| S6510 14-3/8 | 14 | G3/8 | 10.3 | 20.5 | 24.5 | 8 | 30.5 | 22 | 9 | 42 |
| S6510 14-1/2 | 14 | G1/2 | 6.3 | 20.5 | 24.5 | 9 | 26.5 | 22 | 12 | 34 |
| S6510 16-1/2 | 16 | G1/2 | 9 | 23.5 | 26.5 | 9 | 32 | 24 | - | 42 |
| S6510 16-3/4 | 16 | G3/4 | 3.5 | 23.5 | 27.3 | 9 | 26.5 | 24 | - | 46 |

Fittings Mod. S6510...-LF

Male Connector Sprint® with self-retaining device

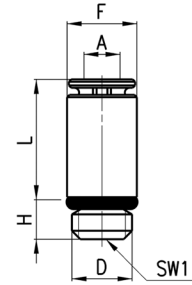
New



| Mod. | A | D | F | G | H | L | SW | weight (g) |
|----------------|---|------|------|------|-----|------|----|------------|
| S6510 4-1/8-LF | 4 | G1/8 | 13.2 | 8.8 | 5.5 | 23 | 12 | 11 |
| S6510 6-1/8-LF | 6 | G1/8 | 13.2 | 11.7 | 6 | 30.5 | 12 | 15 |

Fittings Mod. 6512 Micro

Metric-BSP Male Connector

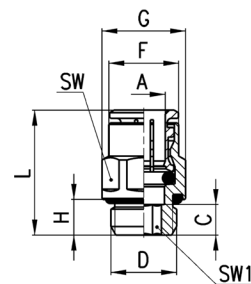


| DIMENSIONS | | | | | | | | |
|----------------------|----|------|------|-----|------|-----|------------|------|
| Mod. | A | D | F | H | L | SW1 | Weight (g) | |
| 6512 3-M3 | 3 | M3 | 5.8 | 2.5 | 10.2 | 1.5 | 1 | * |
| 6512 3-M5 | 3 | M5 | 5.8 | 3.5 | 10 | 2 | 1 | • |
| 6512 4-M7-M | 4 | M7 | 9.4 | 5 | 17.5 | 2.5 | 5 | • |
| 6512 4-1/8-M | 4 | G1/8 | 11.2 | 5 | 13 | 2.5 | 9 | •, Y |
| 6512 6-M7-M | 6 | M7 | 10.4 | 5 | 17 | 4 | 7 | • |
| 6512 6-1/8-M | 6 | G1/8 | 11.2 | 5 | 14 | 4 | 7 | •, Y |
| 6512 8-1/8-M | 8 | G1/8 | 12.4 | 5 | 18.5 | 5 | 10 | •, Y |
| 6512 10-1/4-M | 10 | G1/4 | 14.8 | 6 | 21 | 7 | 16 | • |

* = with gasket
• = with O-Ring

Fittings Mod. 6512

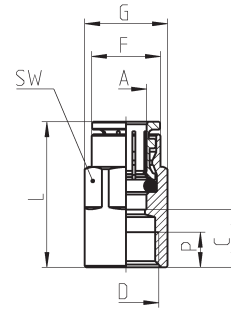
Metric-BSP Male Connector



| DIMENSIONS | | | | | | | | | | |
|--------------------|----|------|------|------|------|-----|------|----|-----|------------|
| Mod. | A | D | C | F | G | H | L | SW | SW1 | Weight (g) |
| 6512 4-M5 | 4 | M5 | 6 | 7.8 | 8.8 | 4 | 20 | 8 | 2 | 4 |
| 6512 4-M6 | 4 | M6 | 6.5 | 8.8 | 9.9 | 4.5 | 20.5 | 9 | 2.5 | 6 |
| 6512 4-1/8 | 4 | G1/8 | 5 | 8.8 | 13.5 | 6 | 19 | 12 | 2.5 | 10 |
| 6512 4-1/4 | 4 | G1/4 | 6.5 | 8.8 | 16.4 | 7 | 20.5 | 15 | 2.5 | 14 |
| 6512 5-M5 | 5 | M5 | 6 | 8.8 | 9.9 | 4 | 21 | 9 | 2 | 5 |
| 6512 6-M5 | 6 | M5 | 6 | 11.7 | 13.2 | 4 | 22 | 12 | 2 | 8 |
| 6512 6-1/8 | 6 | G1/8 | 5 | 11.7 | 13.5 | 6 | 21 | 12 | 4 | 10 |
| 6512 6-1/4 | 6 | G1/4 | 6 | 11.7 | 16.4 | 7 | 22 | 15 | 4 | 13 |
| 6512 8-1/8 | 8 | G1/8 | 8.5 | 13.7 | 15.2 | 6 | 26 | 14 | 5 | 15 |
| 6512 8-1/4 | 8 | G1/4 | 7 | 13.7 | 16.4 | 7 | 24.5 | 15 | 6 | 17 |
| 6512 8-3/8 | 8 | G3/8 | 6.5 | 13.7 | 20.5 | 7 | 23 | 19 | 6 | 27 |
| 6512 10-1/4 | 10 | G1/4 | 9.8 | 15.4 | 18.5 | 7 | 30 | 17 | 7 | 26 |
| 6512 10-3/8 | 10 | G3/8 | 5.3 | 15.4 | 20.5 | 7 | 24.5 | 19 | 8 | 27 |
| 6512 12-1/4 | 12 | G1/4 | 10.5 | 18.3 | 20.5 | 7 | 29.5 | 19 | 7 | 29 |
| 6512 12-3/8 | 12 | G3/8 | 5.8 | 18.3 | 20.5 | 7 | 24 | 19 | 9 | 24 |

Fittings Mod. 6463

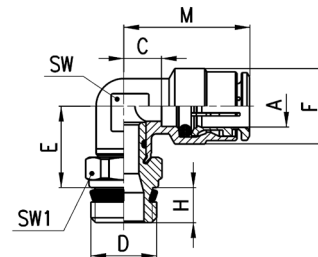
Metric-BSP Female Connector



| DIMENSIONS | | | | | | | | | |
|-------------|----|------|------|------|------|------|---------|----|------------|
| Mod. | A | D | C | F | G | L | P (min) | SW | Weight (g) |
| 6463 4-M5 | 4 | M5 | 6.5 | 7.8 | 8.8 | 20.5 | 4.5 | 9 | 8 |
| 6463 4-1/8 | 4 | G1/8 | 10 | 9 | 13 | 24 | 6 | 12 | 14 |
| 6463 5-1/8 | 5 | G1/8 | 10 | 9.8 | 13 | 25 | 6 | 12 | 14 |
| 6463 6-1/8 | 6 | G1/8 | 10 | 11.7 | 13 | 26 | 6 | 12 | 14 |
| 6463 6-1/4 | 6 | G1/4 | 11.5 | 11.9 | 16.5 | 27.5 | 7 | 15 | 23 |
| 6463 8-1/8 | 8 | G1/8 | 9.5 | 13.7 | 15.2 | 27 | 6 | 14 | 16 |
| 6463 8-1/4 | 8 | G1/4 | 11.5 | 13.7 | 16.5 | 29 | 7 | 15 | 23 |
| 6463 10-1/4 | 10 | G1/4 | 11.3 | 15.4 | 18.5 | 31.5 | 7 | 17 | 29 |

Fittings Mod. S6520

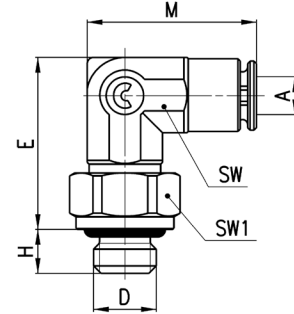
Swivel Male Elbow Sprint®



| DIMENSIONS | | | | | | | | | | |
|--------------|----|------|-----|------|------|-----|------|----|-----|------------|
| Mod. | A | D | C | E | F | H | M | SW | SW1 | Weight (g) |
| S6520 4-1/8 | 4 | G1/8 | 3.5 | 14.5 | 9 | 5.5 | 17.5 | 8 | 12 | 17 |
| S6520 4-1/4 | 4 | G1/4 | 3.5 | 14.5 | 9 | 7 | 17.5 | 8 | 14 | 23 |
| S6520 5-1/8 | 5 | G1/8 | 5.5 | 14.5 | 10 | 5.5 | 20.5 | 9 | 12 | 17 |
| S6520 5-1/4 | 5 | G1/4 | 5.5 | 14.5 | 10 | 7 | 20.5 | 9 | 14 | 23 |
| S6520 6-1/8 | 6 | G1/8 | 4 | 15 | 12.7 | 5.5 | 20 | 9 | 12 | 20 |
| S6520 6-1/4 | 6 | G1/4 | 4 | 15 | 12.7 | 7 | 20 | 9 | 14 | 23 |
| S6520 6-3/8 | 6 | G3/8 | 4 | 15.5 | 12.7 | 8 | 20 | 9 | 19 | 33 |
| S6520 8-1/8 | 8 | G1/8 | 5 | 16 | 14.2 | 5.5 | 22.5 | 11 | 12 | 22 |
| S6520 8-1/4 | 8 | G1/4 | 5 | 16 | 14.2 | 7 | 22.5 | 11 | 14 | 26 |
| S6520 8-3/8 | 8 | G3/8 | 5 | 16.5 | 14.2 | 8 | 22.5 | 11 | 19 | 41 |
| S6520 8-1/2 | 8 | G1/2 | 5 | 17 | 14.2 | 9 | 22.5 | 11 | 22 | 48 |
| S6520 10-1/4 | 10 | G1/4 | 5.8 | 18.5 | 16.5 | 7 | 26 | 13 | 14 | 32 |
| S6520 10-3/8 | 10 | G3/8 | 5.8 | 19 | 16.5 | 8 | 26 | 13 | 19 | 43 |
| S6520 10-1/2 | 10 | G1/2 | 5.8 | 19.5 | 16.5 | 9 | 26 | 13 | 22 | 62 |
| S6520 12-1/4 | 12 | G1/4 | 7.3 | 20 | 19.5 | 7 | 26.5 | 15 | 17 | 49 |
| S6520 12-3/8 | 12 | G3/8 | 7.3 | 20 | 19.5 | 8 | 26.5 | 15 | 19 | 48 |
| S6520 12-1/2 | 12 | G1/2 | 7.3 | 20.5 | 19.5 | 9 | 26.5 | 15 | 22 | 70 |
| S6520 14-3/8 | 14 | G3/8 | 8.3 | 21 | 21.5 | 8 | 28.5 | 17 | 19 | 74 |
| S6520 14-1/2 | 14 | G1/2 | 8.3 | 21.5 | 21.5 | 9 | 28.5 | 17 | 22 | 78 |

Fittings Mod. 6522 Micro

Metric Swivel Male Elbow

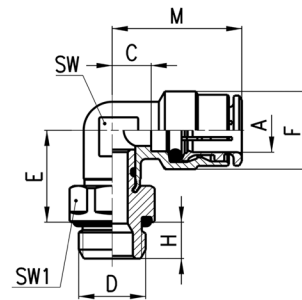

DIMENSIONS

| Mod. | A | D | E | H | M | SW | SW1 | Weight (g) | |
|------------------|---|----|------|-----|------|----|-----|------------|---|
| 6522 3-M3 | 3 | M3 | 13.7 | 2.5 | 13.7 | 6 | 6 | 4 | * |
| 6522 3-M5 | 3 | M5 | 13.7 | 3.5 | 13.7 | 6 | 8 | 5 | • |

 * = with gasket
 • = with O-Ring

Fittings Mod. 6522

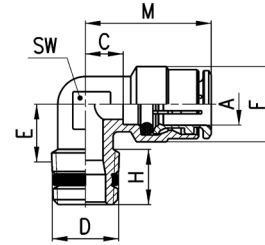
Metric-BSP Swivel Male Elbow


DIMENSIONS

| Mod. | A | D | C | E | F | H | M | SW | SW1 | Weight (g) |
|--------------------|----|------|-----|------|------|---|------|----|-----|------------|
| 6522 4-M5 | 4 | M5 | 3.5 | 12.5 | 9 | 4 | 17.5 | 8 | 8 | 12 |
| 6522 4-1/8 | 4 | G1/8 | 3.5 | 14.5 | 9 | 6 | 17.5 | 8 | 12 | 15 |
| 6522 4-1/4 | 4 | G1/4 | 3.5 | 15.5 | 9 | 7 | 17.5 | 8 | 15 | 25 |
| 6522 5-M5 | 5 | M5 | 5.5 | 12.5 | 10 | 4 | 20.5 | 9 | 8 | 13 |
| 6522 6-M5 | 6 | M5 | 4 | 13 | 12.7 | 4 | 20 | 9 | 10 | 14 |
| 6522 6-1/8 | 6 | G1/8 | 4 | 15 | 12.7 | 6 | 20 | 9 | 12 | 19 |
| 6522 6-1/4 | 6 | G1/4 | 4 | 16 | 12.7 | 7 | 20 | 9 | 15 | 27 |
| 6522 8-1/8 | 8 | G1/8 | 5 | 16 | 14.2 | 6 | 22.5 | 11 | 12 | 22 |
| 6522 8-1/4 | 8 | G1/4 | 5 | 17 | 14.2 | 7 | 22.5 | 11 | 15 | 28 |
| 6522 8-3/8 | 8 | G3/8 | 5 | 17 | 14.2 | 7 | 22.5 | 11 | 19 | 45 |
| 6522 10-1/4 | 10 | G1/4 | 5.8 | 19.5 | 16.5 | 7 | 26 | 13 | 15 | 41 |
| 6522 10-3/8 | 10 | G3/8 | 5.8 | 19.5 | 16.5 | 7 | 26 | 13 | 19 | 45 |
| 6522 12-1/4 | 12 | G1/4 | 7.3 | 20 | 19.5 | 7 | 26.5 | 15 | 17 | 51 |
| 6522 12-3/8 | 12 | G3/8 | 7.3 | 20.5 | 19.5 | 7 | 26.5 | 15 | 19 | 56 |

Fittings Mod. S6500

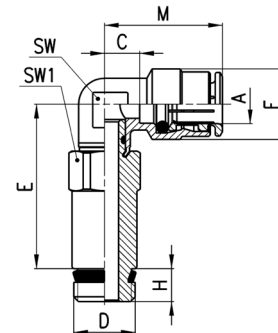
Metric Fix Male Elbow



| DIMENSIONS | | | | | | | | | | |
|--------------|----|------|-----|------|------|------|------|----|------------|--|
| Mod. | A | D | C | E | F | H | M | SW | Weight (g) | |
| S6500 4-1/8 | 4 | R1/8 | 3.5 | 8.5 | 9 | 7.5 | 17.5 | 8 | 9 | |
| S6500 4-1/4 | 4 | R1/4 | 5 | 11.5 | 9 | 12 | 19 | 9 | 13 | |
| S6500 5-1/8 | 5 | R1/8 | 5.5 | 8.5 | 10 | 7.5 | 20.5 | 9 | 13 | |
| S6500 5-1/4 | 5 | R1/4 | 5.5 | 11.5 | 10 | 12 | 20.5 | 9 | 17 | |
| S6500 6-1/8 | 6 | R1/8 | 4 | 9 | 12.7 | 7.5 | 20 | 9 | 15 | |
| S6500 6-1/4 | 6 | R1/4 | 4 | 11.5 | 12.7 | 12 | 20 | 9 | 16 | |
| S6500 8-1/8 | 8 | R1/8 | 5 | 10.5 | 14.2 | 6.5 | 22.5 | 11 | 18 | |
| S6500 8-1/4 | 8 | R1/4 | 5 | 11.5 | 14.2 | 12.5 | 22.5 | 11 | 21 | |
| S6500 8-3/8 | 8 | R3/8 | 7 | 13 | 14.2 | 11.5 | 24.5 | 12 | 25 | |
| S6500 10-1/4 | 10 | R1/4 | 5.8 | 13 | 16.5 | 11.5 | 26 | 13 | 33 | |
| S6500 10-3/8 | 10 | R3/8 | 5.8 | 13 | 16.5 | 12 | 26 | 13 | 33 | |
| S6500 12-1/4 | 12 | R1/4 | 7.3 | 14.5 | 19.5 | 11 | 26.5 | 15 | 46 | |
| S6500 12-3/8 | 12 | R3/8 | 7.3 | 13.5 | 19.5 | 11.5 | 26.5 | 15 | 39 | |

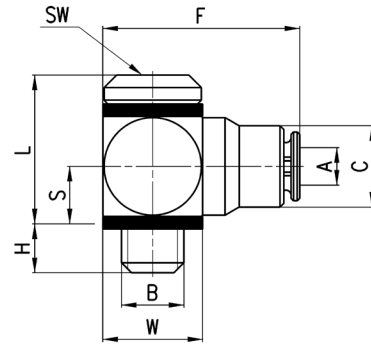
Fittings Mod. 6525

Long Swivel Male Elbow Sprint®



| DIMENSIONS | | | | | | | | | | |
|------------|---|------|---|------|------|-----|------|----|-----|------------|
| Mod. | A | D | C | E | F | H | M | SW | SW1 | Weight (g) |
| 6525 6-1/8 | 6 | G1/8 | 4 | 33.8 | 12.7 | 5.5 | 20 | 9 | 12 | 34 |
| 6525 6-1/4 | 6 | G1/4 | 4 | 34 | 12.7 | 7 | 20 | 9 | 14 | 47 |
| 6525 8-1/8 | 8 | G1/8 | 5 | 34.8 | 14.2 | 5.5 | 22.5 | 11 | 12 | 35 |
| 6525 8-1/4 | 8 | G1/4 | 5 | 35 | 14.2 | 7 | 22.5 | 11 | 14 | 50 |

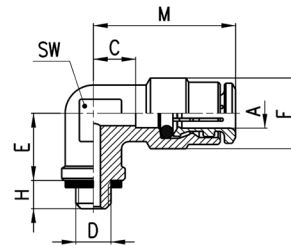

Fittings Mod. 6621 Micro

 Complete Metric Adjustable
Single Banjo

DIMENSIONS

| Mod. | A | B | C | F | H | L | S | W | SW | Weight (g) |
|------------------|---|----|-----|------|-----|------|-----|---|-----|------------|
| 6621 3-M3 | 3 | M3 | 5.8 | 14.2 | 2.5 | 9.3 | 3.5 | 6 | 1.5 | 5 |
| 6621 3-M5 | 3 | M5 | 6.5 | 16 | 3.2 | 11.9 | 4.8 | 8 | 2 | 6 |


Fitting Mod. 6501 4-M5

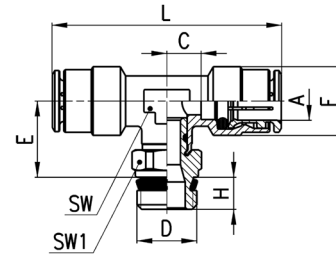
Metric Fix Male Elbow


DIMENSIONS

| Mod. | A | D | C | E | F | H | M | SW | Weight (g) |
|------------------|---|----|-----|---|---|---|------|----|------------|
| 6501 4-M5 | 4 | M5 | 3.5 | 6 | 9 | 4 | 17.5 | 8 | 11 |

Fittings Mod. S6430

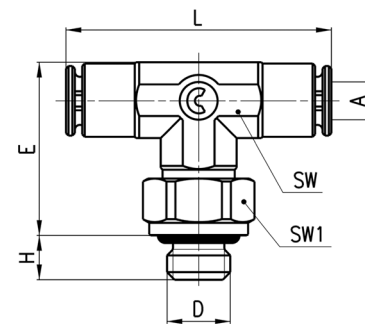
Swivel Male Tee Sprint®



| DIMENSIONS | | | | | | | | | | |
|---------------------|----|------|-----|------|------|-----|----|----|-----|------------|
| Mod. | A | D | C | E | F | H | L | SW | SW1 | Weight (g) |
| S6430 4-1/8 | 4 | G1/8 | 3.5 | 14.5 | 9 | 5.5 | 35 | 8 | 12 | 18 |
| S6430 5-1/8 | 5 | G1/8 | 5.5 | 14.5 | 10 | 5.5 | 41 | 9 | 12 | 24 |
| S6430 5-1/4 | 5 | G1/4 | 5.5 | 14.5 | 10 | 7 | 41 | 9 | 14 | 30 |
| S6430 6-1/8 | 6 | G1/8 | 4 | 15 | 12.7 | 5.5 | 40 | 9 | 12 | 28 |
| S6430 6-1/4 | 6 | G1/4 | 4 | 15 | 12.7 | 7 | 40 | 9 | 14 | 33 |
| S6430 8-1/8 | 8 | G1/8 | 5 | 16 | 14.2 | 5.5 | 45 | 11 | 12 | 37 |
| S6430 8-1/4 | 8 | G1/4 | 5 | 16 | 14.2 | 7 | 45 | 11 | 14 | 42 |
| S6430 8-3/8 | 8 | G3/8 | 5 | 16.5 | 14.2 | 8 | 45 | 11 | 19 | 51 |
| S6430 10-1/4 | 10 | G1/4 | 5.8 | 18.5 | 16.5 | 7 | 52 | 13 | 14 | 56 |
| S6430 10-3/8 | 10 | G3/8 | 5.8 | 19 | 16.5 | 8 | 52 | 13 | 19 | 67 |
| S6430 10-1/2 | 10 | G1/2 | 5.8 | 19.5 | 16.5 | 9 | 52 | 13 | 22 | 85 |
| S6430 12-1/4 | 12 | G1/4 | 7.3 | 20 | 19.5 | 7 | 53 | 15 | 17 | 60 |
| S6430 12-3/8 | 12 | G3/8 | 7.3 | 20 | 19.5 | 8 | 53 | 15 | 19 | 65 |
| S6430 12-1/2 | 12 | G1/2 | 7.3 | 20.5 | 19.5 | 9 | 53 | 15 | 22 | 89 |
| S6430 14-1/2 | 14 | G1/2 | 8.3 | 21.5 | 21.5 | 9 | 57 | 17 | 22 | 88 |

Fittings Mod. 6432 Micro

Metric Swivel Male Tee

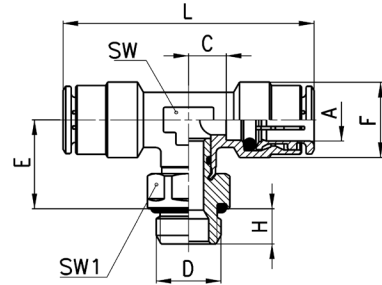


| DIMENSIONS | | | | | | | | | |
|------------------|---|----|------|-----|------|----|-----|------------|---|
| Mod. | A | D | E | H | L | SW | SW1 | Weight (g) | |
| 6432 3-M3 | 3 | M3 | 13.7 | 2.5 | 21.4 | 6 | 6 | 5 | * |
| 6432 3-M5 | 3 | M5 | 13.7 | 3.5 | 21.4 | 6 | 8 | 6 | • |

* = with gasket
• = with O-Ring

Fittings Mod. 6432

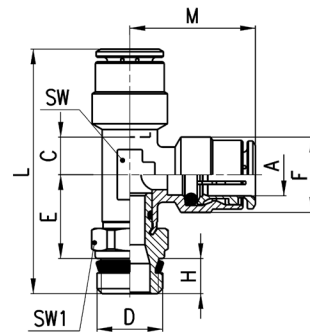
Metric-BSP Swivel Male Tee



| DIMENSIONS | | | | | | | | | | |
|--------------------|----|------|-----|------|------|---|----|----|-----|------------|
| Mod. | A | D | C | E | F | H | L | SW | SW1 | Weight (g) |
| 6432 4-M5 | 4 | M5 | 3.5 | 12.5 | 9 | 4 | 35 | 8 | 8 | 14 |
| 6432 4-1/8 | 4 | G1/8 | 3.5 | 14.5 | 9 | 6 | 35 | 8 | 12 | 19 |
| 6432 5-M5 | 5 | M5 | 5.5 | 12.5 | 10 | 4 | 41 | 9 | 8 | 19 |
| 6432 6-1/8 | 6 | G1/8 | 4 | 15 | 12.7 | 6 | 40 | 9 | 12 | 29 |
| 6432 6-1/4 | 6 | G1/4 | 4 | 16 | 12.7 | 7 | 40 | 9 | 15 | 30 |
| 6432 8-1/8 | 8 | G1/8 | 5 | 16 | 14.2 | 6 | 45 | 11 | 12 | 37 |
| 6432 8-1/4 | 8 | G1/4 | 5 | 17 | 14.2 | 7 | 45 | 11 | 15 | 39 |
| 6432 8-3/8 | 8 | G3/8 | 5 | 17 | 14.2 | 7 | 45 | 11 | 19 | 55 |
| 6432 10-1/4 | 10 | G1/4 | 5.8 | 19.5 | 16.5 | 7 | 52 | 13 | 15 | 59 |
| 6432 10-3/8 | 10 | G3/8 | 5.8 | 19.5 | 16.5 | 7 | 52 | 13 | 19 | 56 |
| 6432 12-1/4 | 12 | G1/4 | 7.3 | 20 | 19.5 | 7 | 53 | 15 | 17 | 60 |
| 6432 12-3/8 | 12 | G3/8 | 7.3 | 20.5 | 19.5 | 7 | 53 | 15 | 19 | 80 |

Fittings Mod. S6440

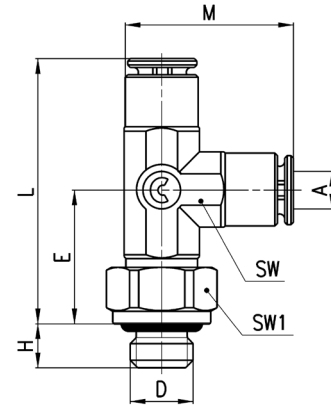
Lateral Swivel Male Tee Sprint®



| DIMENSIONS | | | | | | | | | | | |
|---------------------|----|------|-----|------|------|-----|------|------|----|-----|------------|
| Mod. | A | D | C | E | F | H | L | M | SW | SW1 | Weight (g) |
| S6440 4-1/8 | 4 | G1/8 | 3.5 | 14.5 | 9 | 5.5 | 37.5 | 17.5 | 8 | 12 | 23 |
| S6440 5-1/8 | 5 | G1/8 | 5.5 | 14.5 | 10 | 5.5 | 40.5 | 20.5 | 9 | 12 | 24 |
| S6440 6-1/8 | 6 | G1/8 | 4 | 15 | 12.7 | 5.5 | 40.5 | 20 | 9 | 12 | 26 |
| S6440 6-1/4 | 6 | G1/4 | 4 | 15 | 12.7 | 7 | 42 | 20 | 9 | 14 | 31 |
| S6440 8-1/8 | 8 | G1/8 | 5 | 16 | 14.2 | 5.5 | 44 | 22.5 | 11 | 12 | 37 |
| S6440 8-1/4 | 8 | G1/4 | 5 | 16 | 14.2 | 7 | 45.5 | 22.5 | 11 | 14 | 35 |
| S6440 8-3/8 | 8 | G3/8 | 5 | 16.5 | 14.2 | 8 | 47 | 22.5 | 11 | 19 | 52 |
| S6440 10-1/4 | 10 | G1/4 | 5.8 | 18.5 | 16.5 | 7 | 51.5 | 26 | 13 | 14 | 43 |
| S6440 10-3/8 | 10 | G3/8 | 5.8 | 18.5 | 16.5 | 8 | 53 | 26 | 13 | 19 | 66 |
| S6440 12-3/8 | 12 | G3/8 | 7.3 | 19.5 | 19.5 | 8 | 54.5 | 26.5 | 15 | 19 | 65 |
| S6440 14-1/2 | 14 | G1/2 | 8.3 | 21.5 | 21.5 | 9 | 59 | 28.5 | 17 | 22 | 88 |

Fittings Mod. 6442 Micro

Lateral Metric Swivel Male Tee

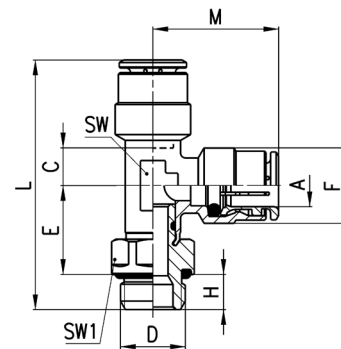


| DIMENSIONS | | | | | | | | | | |
|------------|---|----|------|-----|------|------|----|-----|------------|---|
| Mod. | A | D | E | H | L | M | SW | SW1 | Weight (g) | |
| 6442 3-M3 | 3 | M3 | 10.7 | 2.5 | 21.4 | 13.7 | 6 | 6 | 5 | * |
| 6442 3-M5 | 3 | M5 | 12.2 | 3.5 | 21.4 | 13.7 | 6 | 8 | 6 | • |

* = with gasket
• = with O-Ring

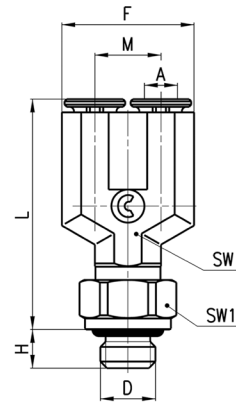
Fittings Mod. 6442

Lateral Metric-BSP Swivel Male Tee



| DIMENSIONS | | | | | | | | | | | |
|-------------|----|------|-----|------|------|---|------|------|----|-----|------------|
| Mod. | A | D | C | E | F | H | L | M | SW | SW1 | Weight (g) |
| 6442 4-M5 | 4 | M5 | 3.5 | 12.5 | 9 | 4 | 34 | 17.5 | 8 | 8 | 18 |
| 6442 4-1/8 | 4 | G1/8 | 3.5 | 14.5 | 9 | 6 | 38 | 17.5 | 8 | 12 | 19 |
| 6442 5-M5 | 5 | M5 | 5.5 | 12.5 | 10 | 4 | 36.5 | 20.5 | 9 | 8 | 19 |
| 6442 6-1/8 | 6 | G1/8 | 4 | 15 | 12.7 | 6 | 41 | 20 | 9 | 12 | 26 |
| 6442 6-1/4 | 6 | G1/4 | 4 | 16 | 12.7 | 7 | 43 | 20 | 9 | 15 | 36 |
| 6442 8-1/8 | 8 | G1/8 | 5 | 16 | 14.2 | 6 | 44.5 | 22.5 | 11 | 12 | 31 |
| 6442 8-1/4 | 8 | G1/4 | 5 | 17 | 14.2 | 7 | 46.5 | 22.5 | 11 | 15 | 42 |
| 6442 8-3/8 | 8 | G3/8 | 5 | 17 | 14.2 | 7 | 46.5 | 22.5 | 11 | 19 | 50 |
| 6442 10-1/4 | 10 | G1/4 | 5.8 | 19.5 | 16.5 | 7 | 52.5 | 26 | 13 | 15 | 46 |
| 6442 10-3/8 | 10 | G3/8 | 5.8 | 19.5 | 16.5 | 7 | 52.5 | 26 | 13 | 19 | 66 |
| 6442 12-1/4 | 12 | G1/4 | 7.3 | 20 | 16.5 | 7 | 53.5 | 26.5 | 15 | 17 | 73 |
| 6442 12-3/8 | 12 | G3/8 | 7.3 | 20.5 | 19.5 | 7 | 54 | 26.5 | 15 | 19 | 64 |

Fittings Mod. 6452 Micro
Metric Swivel Male Y

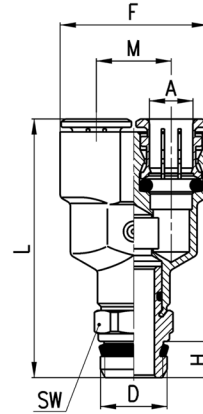


DIMENSIONS

| Mod. | A | D | F | H | L | M | SW | SW1 | Weight (g) |
|-----------|---|----|----|-----|------|---|----|-----|------------|
| 6452 3-M3 | 3 | M3 | 12 | 2.5 | 20.9 | 6 | 6 | 6 | 6 * |
| 6452 3-M5 | 3 | M5 | 12 | 3.5 | 20.9 | 6 | 6 | 8 | 7 • |

* = with gasket
• = with O-Ring

Fittings Mod. 6451 - S6450
Mod. 6451: Metric Adjustable Male Y
Mod. S6450: Swivel Male Y Sprint®



DIMENSIONS

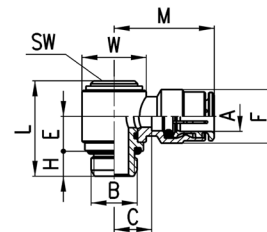
| Mod. | A | D | F | H | L | M | SW | Weight (g) |
|-------------|---|------|------|-----|------|------|----|------------|
| 6451 4-M5 | 4 | M5 | 18 | 4 | 26.5 | 9 | - | 17 * |
| 6451 6-M5 | 6 | M5 | 24.5 | 4 | 29.5 | 12.5 | - | 27 * |
| S6450 4-1/8 | 4 | G1/8 | 18 | 5.5 | 38 | 9 | 12 | 23 |
| S6450 6-1/8 | 6 | G1/8 | 24.5 | 5.5 | 41.5 | 12.5 | 12 | 33 |
| S6450 8-1/8 | 8 | G1/8 | 28.5 | 5.5 | 48.5 | 14.5 | 14 | 48 |
| S6450 8-1/4 | 8 | G1/4 | 28.5 | 7 | 50 | 14.5 | 14 | 50 |

* = not swivel Model with gasket

Fittings Mod. 6622
Complete BSP Swivel
Single Banjo



* Complete Metric Swivel
Single Banjo

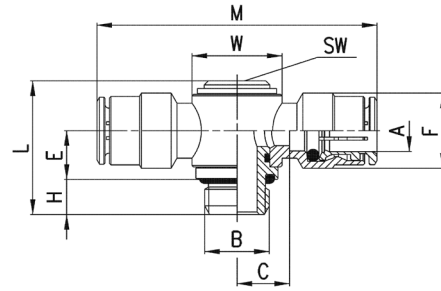


DIMENSIONS

| Mod. | A | B | C | E | F | H | L | M | SW | W | Weight (g) | Notes |
|-------------|----|------|-----|------|------|---|------|------|-----|------|------------|-------|
| 6622 4-M5 | 4 | M5 | 4 | 5.7 | 8.8 | 4 | 15.8 | 18 | 2.5 | ∅ 8 | 10 | * |
| 6622 4-1/8 | 4 | G1/8 | 7.5 | 10.2 | 9 | 5 | 25 | 21.5 | 4 | ∅ 14 | 22 | |
| 6622 6-1/8 | 6 | G1/8 | 8 | 10.2 | 12.7 | 5 | 25 | 24 | 4 | ∅ 14 | 24 | |
| 6622 6-1/4 | 6 | G1/4 | 10 | 9.1 | 12.7 | 6 | 25.3 | 26 | 5 | ∅ 18 | 35 | |
| 6622 8-1/8 | 8 | G1/8 | 8 | 10.2 | 14.2 | 5 | 25 | 25.5 | 4 | ∅ 14 | 28 | |
| 6622 8-1/4 | 8 | G1/4 | 10 | 9.1 | 14.2 | 6 | 25.3 | 27.5 | 5 | ∅ 18 | 39 | |
| 6622 10-1/4 | 10 | G1/4 | 8.8 | 9.1 | 16.5 | 6 | 25.3 | 29 | 5 | ∅ 18 | 42 | |

Fittings Mod. 6632

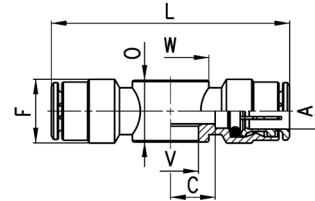
Complete BSP Swivel
Double Banjo



| DIMENSIONS | | | | | | | | | | | |
|-------------|----|------|-----|------|------|---|------|----|------|----|------------|
| Mod. | A | B | C | E | F | H | L | M | W | SW | Weight (g) |
| 6632 4-1/8 | 4 | G1/8 | 7.5 | 10.2 | 9 | 5 | 25 | 43 | ∅ 14 | 4 | 24 |
| 6632 6-1/8 | 6 | G1/8 | 8 | 10.2 | 12.7 | 5 | 25 | 48 | ∅ 14 | 4 | 33 |
| 6632 6-1/4 | 6 | G1/4 | 10 | 9.1 | 12.7 | 6 | 25.3 | 52 | ∅ 18 | 5 | 35 |
| 6632 8-1/8 | 8 | G1/8 | 8 | 10.2 | 14.2 | 5 | 25 | 51 | ∅ 14 | 4 | 39 |
| 6632 8-1/4 | 8 | G1/4 | 10 | 9.1 | 14.2 | 6 | 25.3 | 55 | ∅ 18 | 5 | 40 |
| 6632 10-1/4 | 10 | G1/4 | 8.8 | 9.1 | 16.5 | 6 | 25.3 | 58 | ∅ 18 | 5 | 50 |

Fittings Mod. 6620

Double Banjo



| DIMENSIONS | | | | | | | | | | |
|------------|---|-----|------|----|------|------|------|------------|------------------------------|--|
| Mod. | A | C | F | L | O | V | W | Weight (g) | assembled with Mod. | |
| 6620 4-M5 | 4 | 5 | 9 | 38 | 9 | 5.1 | ∅ 9 | 13 | SCU, SVU, SCO... | |
| 6620 4-1/8 | 4 | 7.5 | 9 | 43 | 14.5 | 9.8 | ∅ 14 | 19 | 1631, 1635, SCU, SVU, SCO... | |
| 6620 6-1/8 | 6 | 8 | 12.7 | 48 | 14.5 | 9.8 | ∅ 14 | 24 | 1631, 1635, SCU, SVU, SCO... | |
| 6620 6-1/4 | 6 | 10 | 12.7 | 52 | 14.5 | 13.2 | ∅ 18 | 26 | 1631, 1635, SCU, SVU, SCO... | |
| 6620 8-1/8 | 8 | 8 | 14.2 | 51 | 14.5 | 9.8 | ∅ 14 | 32 | 1631, 1635, SCU, SVU, SCO... | |
| 6620 8-1/4 | 8 | 10 | 14.2 | 55 | 14.5 | 13.2 | ∅ 18 | 34 | 1631, 1635, SCU, SVU, SCO... | |

Fittings Mod. 1631 with gaskets

- 01... = Single Banjo Stem
- 02... = Double Banjo Stem
- 03... = Triple Banjo Stem

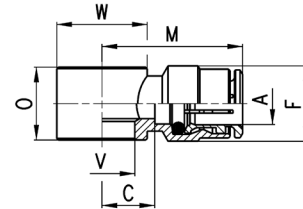


| Mod. |
|----------|
| 1631 01- |
| 1631 02- |
| 1631 03- |

Drawings and dimensions on page 4/2.05.09

Fittings Mod. 6610

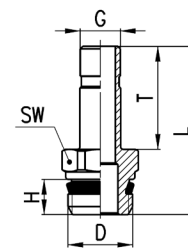
Single Banjo



| DIMENSIONS | | | | | | | | | |
|-------------|----|------|------|------|------|------|------|------------|------------------------------|
| Mod. | A | C | F | M | O | V | W | Weight (g) | assembled with Mod. |
| 6610 4-M5 | 4 | 5 | 9 | 19 | 9 | 5.1 | □ 9 | 9 | 1631 |
| 6610 4-M6 | 4 | 5 | 9 | 19 | 9 | 5.1 | □ 9 | 8 | SCU, SVU, SCO... |
| 6610 4-1/8 | 4 | 7.5 | 9 | 21.5 | 14.5 | 9.8 | ∅ 14 | 14 | 1631, 1635, SCU, SVU, SCO... |
| 6610 5-M5 | 5 | 5 | 10 | 20 | 9 | 5.1 | □ 9 | 9 | 1631 |
| 6610 5-M6 | 5 | 5 | 10 | 20 | 9 | 5.1 | □ 9 | 8 | SCU, SVU, SCO... |
| 6610 5-1/8 | 5 | 8 | 10 | 23 | 14.5 | 9.8 | ∅ 14 | 16 | 1631, 1635, SCU, SVU, SCO... |
| 6610 6-M5 | 6 | 6.5 | 12.7 | 22.5 | 9 | 5.1 | ∅ 10 | 12 | 1631 |
| 6610 6-M6 | 6 | 6.5 | 12.7 | 22.5 | 9 | 5.1 | ∅ 10 | 12 | SCU, SVU, SCO... |
| 6610 6-1/8 | 6 | 8 | 12.7 | 24 | 14.5 | 9.8 | ∅ 14 | 16 | 1631, 1635, SCU, SVU, SCO... |
| 6610 6-1/4 | 6 | 10 | 12.7 | 26 | 14.5 | 13.2 | ∅ 18 | 19 | 1631, 1635, SCU, SVU, SCO... |
| 6610 8-1/8 | 8 | 8 | 14.2 | 25.5 | 14.5 | 9.8 | ∅ 14 | 19 | 1631, 1635, SCU, SVU, SCO... |
| 6610 8-1/4 | 8 | 10 | 14.2 | 27.5 | 14.5 | 13.2 | ∅ 18 | 22 | 1631, 1635, SCU, SVU, SCO... |
| 6610 8-3/8 | 8 | 11 | 14.2 | 28.5 | 14.5 | 16.7 | ∅ 21 | 23 | 1631, 1635, SCU, SVU, SCO... |
| 6610 10-1/4 | 10 | 8.8 | 16.5 | 29 | 14.5 | 13.2 | ∅ 18 | 22 | 1635, SCU, SVU, SCO... |
| 6610 10-3/8 | 10 | 10.3 | 16.5 | 30.5 | 14.5 | 16.7 | ∅ 21 | 23 | 1635, SCU, SVU, SCO... |
| 6610 12-1/2 | 12 | 12.8 | 16.5 | 32 | 14.5 | 21 | ∅ 26 | 37 | 1635 |

Fittings Mod. 6811

Metric Male Adaptor Sprint®

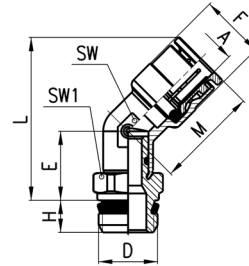


| DIMENSIONS | | | | | | | |
|-------------|----|------|-----|------|------|----|------------|
| Mod. | G | D | H | T | L | SW | Weight (g) |
| 6811 4-M5 | 4 | M5 | 4 | 16.5 | 24.5 | 8 | 3 * |
| 6811 4-1/8 | 4 | G1/8 | 5.5 | 16.5 | 27.8 | 12 | 10 |
| 6811 5-1/8 | 5 | G1/8 | 5.5 | 18 | 29.3 | 12 | 9 |
| 6811 5-1/4 | 5 | G1/4 | 7 | 18 | 31 | 14 | 11 |
| 6811 6-1/8 | 6 | G1/8 | 5.5 | 18 | 29.3 | 12 | 10 |
| 6811 6-1/4 | 6 | G1/4 | 7 | 18 | 31 | 14 | 12 |
| 6811 8-1/8 | 8 | G1/8 | 5.5 | 20.5 | 31.8 | 12 | 12 |
| 6811 8-1/4 | 8 | G1/4 | 7 | 20.5 | 33.5 | 14 | 13 |
| 6811 10-1/4 | 10 | G1/4 | 7 | 23 | 36 | 14 | 16 |
| 6811 10-3/8 | 10 | G3/8 | 8 | 23 | 37.3 | 19 | 25 |
| 6811 12-3/8 | 12 | G3/8 | 8 | 24 | 38.3 | 19 | 25 |
| 6811 14-1/2 | 14 | G1/2 | 9 | 28 | 44 | 22 | 39 |

* = with O-Ring

Fittings Mod. S6110

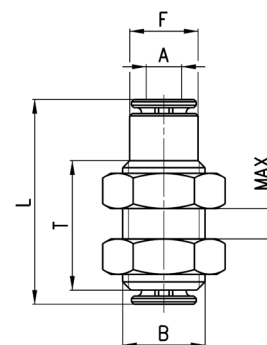
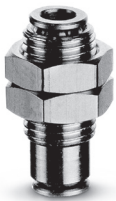
45° Male Elbow Sprint®



| DIMENSIONS | | | | | | | | | | |
|---------------------|----|------|------|------|-----|------|------|----|-----|------------|
| Mod. | A | D | E | F | H | L | M | SW | SW1 | Weight (g) |
| S6110 6-1/8 | 6 | G1/8 | 14 | 12.7 | 5.5 | 32.5 | 20.5 | 11 | 12 | 21 |
| S6110 6-1/4 | 6 | G1/4 | 14 | 12.7 | 7 | 34.5 | 20.5 | 11 | 14 | 25 |
| S6110 8-1/8 | 8 | G1/8 | 14 | 14.2 | 5.5 | 32.5 | 22.5 | 11 | 12 | 21 |
| S6110 8-1/4 | 8 | G1/4 | 14 | 14.2 | 7 | 34.5 | 22.5 | 11 | 14 | 26 |
| S6110 8-3/8 | 8 | G3/8 | 14.5 | 14.2 | 8 | 35 | 22.5 | 11 | 19 | 38 |
| S6110 10-1/4 | 10 | G1/4 | 15.5 | 16.5 | 7 | 39.5 | 26.5 | 15 | 17 | 39 |
| S6110 10-3/8 | 10 | G3/8 | 15.5 | 16.5 | 8 | 39.5 | 26.5 | 15 | 19 | 44 |
| S6110 10-1/2 | 10 | G1/2 | 16 | 16.5 | 9 | 40 | 26.5 | 15 | 22 | 57 |
| S6110 12-1/4 | 12 | G1/4 | 15.5 | 19.5 | 7 | 40.5 | 26.5 | 15 | 17 | 41 |
| S6110 12-3/8 | 12 | G3/8 | 15.5 | 19.5 | 8 | 40.5 | 26.5 | 15 | 19 | 46 |
| S6110 12-1/2 | 12 | G1/2 | 16 | 19.5 | 9 | 41 | 26.5 | 15 | 22 | 59 |

Fittings Mod. 6590 Micro

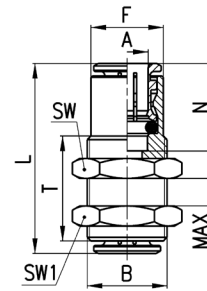
Bulkhead Connector



| DIMENSIONS | | | | | | | |
|---------------|---|---------|-----|------|-----|------|------------|
| Mod. | A | B | F | L | MAX | T | Weight (g) |
| 6590 3 | 3 | M7x0.75 | 5.8 | 18.4 | 5 | 11.4 | 4 |

Fittings Mod. 6590

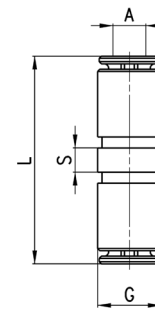
Bulkhead Connector



| DIMENSIONS | | | | | | | | | | |
|----------------|----|-------|------|------|------|------|----|-----|------|------------|
| Mod. | A | B | F | L | N | MAX | SW | SW1 | T | Weight (g) |
| 6590 4 | 4 | M10x1 | 8.8 | 29 | 14 | 10.5 | 14 | 14 | 20 | 16 |
| 6590 5 | 5 | M12x1 | 9.8 | 31 | 15 | 10.5 | 17 | 17 | 20 | 25 |
| 6590 6 | 6 | M14x1 | 12.5 | 33 | 16 | 10.5 | 17 | 17 | 20 | 28 |
| 6590 8 | 8 | M16x1 | 14.5 | 36 | 17.5 | 11.5 | 19 | 19 | 21 | 35 |
| 6590 10 | 10 | M18x1 | 16.3 | 41.5 | 20.2 | 13 | 22 | 22 | 23.5 | 51 |
| 6590 12 | 12 | M20x1 | 18.8 | 39.5 | 19.2 | 14.5 | 24 | 24 | 25 | 56 |
| 6590 14 | 14 | M22x1 | 20.5 | 41.5 | 20.2 | 17.5 | 27 | 27 | 30 | 82 |

Fittings Mod. 6580 Micro

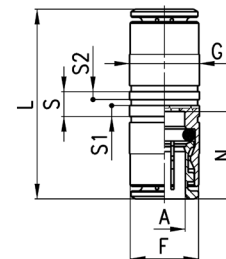
Union Connector



| DIMENSIONS | | | | | |
|---------------|---|-----|------|-----|------------|
| Mod. | A | G | L | S | Weight (g) |
| 6580 3 | 3 | 5.8 | 19.9 | 2.2 | 2 |

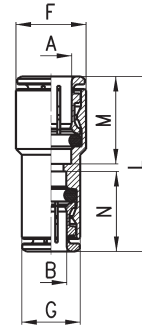
Fittings Mod. 6580

Union Connector



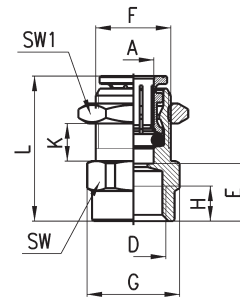
| DIMENSIONS | | | | | | | | | |
|----------------|----|------|----|------|------|-----|-----|-----|------------|
| Mod. | A | F | G | L | N | S | S1 | S2 | Weight (g) |
| 6580 4 | 4 | 8.4 | 9 | 29 | 14 | 5 | 2.2 | 1.6 | 11 |
| 6580 5 | 5 | 9.4 | 10 | 31 | 15 | 5 | 2.2 | 1.6 | 15 |
| 6580 6 | 6 | 11.7 | 12 | 34 | 16 | 5 | 2.2 | 1.6 | 16 |
| 6580 8 | 8 | 13.7 | 14 | 37 | 17.5 | 5 | 2.2 | 1.6 | 23 |
| 6580 10 | 10 | 15.4 | 17 | 41.5 | 20.2 | 5 | 2.2 | 1.6 | 33 |
| 6580 12 | 12 | 18.3 | 19 | 39.5 | 19.2 | 5.2 | 2.2 | 1.6 | 40 |
| 6580 14 | 14 | 20.5 | 21 | 41.5 | 20.2 | 5.2 | 2.2 | 1.6 | 47 |

Fittings Mod. 6580
Reducer Union Connector



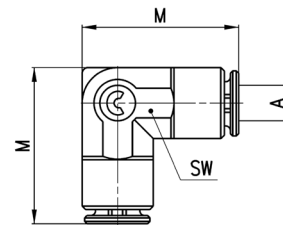
| DIMENSIONS | | | | | | | | | |
|-------------------|----|----|----|------|------|------|------|------------|--|
| Mod. | A | B | F | G | L | M | N | Weight (g) | |
| 6580 6-4 | 6 | 4 | 12 | 9 | 31.5 | 16 | 14 | 12 | |
| 6580 8-6 | 8 | 6 | 14 | 12.2 | 35 | 17.5 | 16 | 19 | |
| 6580 10-8 | 10 | 8 | 16 | 14 | 39 | 20 | 17.5 | 25 | |
| 6580 12-10 | 12 | 10 | 19 | 16 | 40.5 | 19 | 20 | 35 | |

Fittings Mod. 6593
BSP Female Bulkhead



| DIMENSIONS | | | | | | | | | | | | |
|--------------------|----|------|------|-------|------|---|------|---------|---------|----|-----|------------|
| Mod. | A | D | E | F | G | H | L | K (max) | K (min) | SW | SW1 | Weight (g) |
| 6593 6-1/8 | 6 | G1/8 | 10 | M12x1 | 16.4 | 6 | 24.5 | 8.5 | 2 | 15 | 17 | 19 |
| 6593 6-1/4 | 6 | G1/4 | 11.5 | M12x1 | 18.5 | 7 | 26 | 6.5 | 2 | 17 | 17 | 22 |
| 6593 8-1/8 | 8 | G1/8 | 10 | M15x1 | 18.5 | 6 | 27 | 9.5 | 2 | 17 | 19 | 26 |
| 6593 8-1/4 | 8 | G1/4 | 11.5 | M15x1 | 18.5 | 7 | 28.5 | 9.5 | 2 | 17 | 19 | 26 |
| 6593 10-3/8 | 10 | G3/8 | 12.8 | M18x1 | 24.5 | 8 | 32.5 | 12 | 2 | 22 | 22 | 43 |

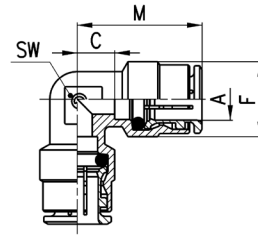
Fittings Mod. 6550 Micro
Elbow connector



| DIMENSIONS | | | | |
|---------------|---|------|----|------------|
| Mod. | A | M | SW | Weight (g) |
| 6550 3 | 3 | 13.7 | 6 | 3 |

Fittings Mod. 6550

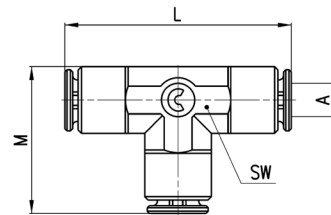
Elbow connector


DIMENSIONS

| Mod. | A | C | F | M | SW | Weight (g) |
|----------------|----|-----|------|------|----|------------|
| 6550 4 | 4 | 3.5 | 9 | 17.5 | 8 | 8 |
| 6550 5 | 5 | 5.5 | 10 | 20.5 | 9 | 15 |
| 6550 6 | 6 | 4 | 12.7 | 20 | 9 | 17 |
| 6550 8 | 8 | 5 | 14.2 | 22.5 | 11 | 22 |
| 6550 10 | 10 | 5.8 | 16.5 | 26 | 13 | 30 |
| 6550 12 | 12 | 7.3 | 19.5 | 26.5 | 15 | 44 |
| 6550 14 | 14 | 8.3 | 21.5 | 28.5 | 17 | 71 |

Fittings Mod. 6540 Micro

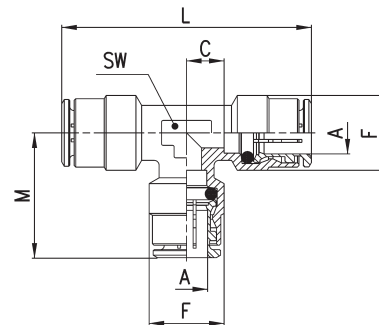
Tee Connector


DIMENSIONS

| Mod. | A | L | M | SW | Weight (g) |
|---------------|---|------|------|----|------------|
| 6540 3 | 3 | 21.4 | 13.7 | 6 | 4 |

Fittings Mod. 6540

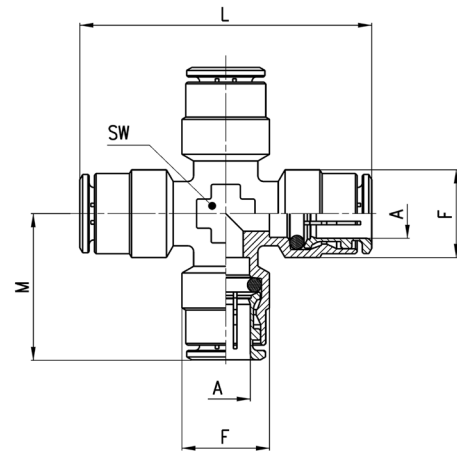
Tee Connector


DIMENSIONS

| Mod. | A | C | F | L | M | SW | Weight (g) |
|----------------|----|-----|------|----|------|----|------------|
| 6540 4 | 4 | 3.5 | 9 | 35 | 17.5 | 8 | 14 |
| 6540 5 | 5 | 5.5 | 10 | 41 | 20.5 | 9 | 21 |
| 6540 6 | 6 | 4 | 12.7 | 40 | 20 | 9 | 24 |
| 6540 8 | 8 | 5 | 14.2 | 45 | 22.5 | 11 | 32 |
| 6540 10 | 10 | 5.8 | 16.5 | 52 | 26 | 13 | 43 |
| 6540 12 | 12 | 7.3 | 19.5 | 53 | 26.5 | 15 | 60 |
| 6540 14 | 14 | 8.3 | 21.5 | 57 | 28.5 | 17 | 75 |

Fittings Mod. 6600

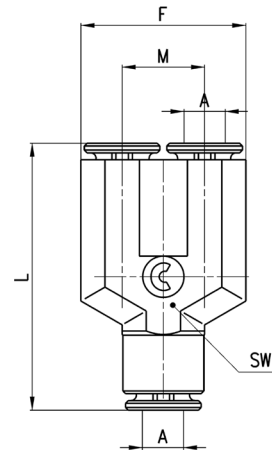
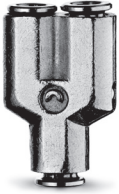
Cross Junction



| DIMENSIONS | | | | | | |
|----------------|----|------|----|------|----|------------|
| Mod. | A | F | L | M | SW | Weight (g) |
| 6600 4 | 4 | 9 | 38 | 19 | 9 | 26 |
| 6600 5 | 5 | 10 | 41 | 20.5 | 9 | 29 |
| 6600 6 | 6 | 12.7 | 44 | 22 | 10 | 35 |
| 6600 8 | 8 | 14.2 | 49 | 24.5 | 12 | 50 |
| 6600 10 | 10 | 16.5 | 55 | 27.5 | 14 | 63 |
| 6600 12 | 12 | 19.5 | 56 | 28 | 16 | 84 |

Fittings Mod. 6560 Micro

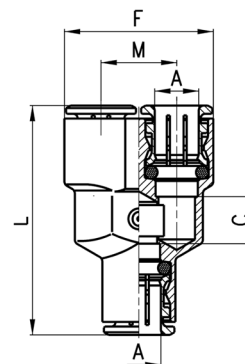
Y Union



| DIMENSIONS | | | | | | |
|---------------|---|----|------|---|----|------------|
| Mod. | A | F | L | M | SW | Weight (g) |
| 6560 3 | 3 | 12 | 20.4 | 6 | 6 | 5 |

Fittings Mod. 6560

Y Union

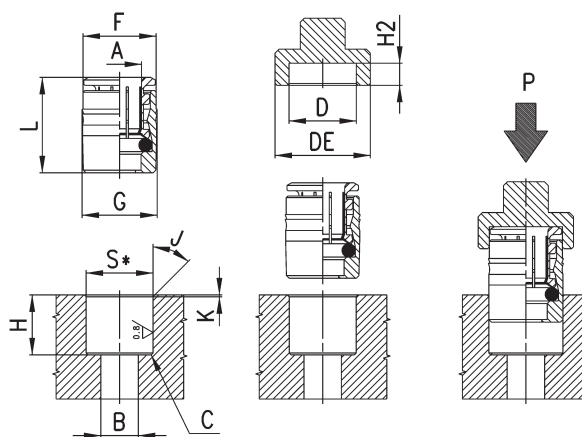


| DIMENSIONS | | | | | | |
|----------------|----|------|------|------|------|------------|
| Mod. | A | C | F | L | M | Weight (g) |
| 6560 4 | 4 | 5 | 18 | 33 | 9 | 19 |
| 6560 6 | 6 | 7 | 24.5 | 39 | 12.5 | 30 |
| 6560 8 | 8 | 9 | 28.5 | 44 | 14.5 | 42 |
| 6560 10 | 10 | 15.5 | 32 | 53.5 | 16 | 63 |

Fittings Mod. 6700

Cartridge

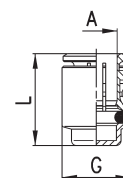
S* = for both metallic and synthetic seat



| Mod. | A | B | C | D | DE | F | G | H | H2 (+0,1/0) | J | K | L | P min (Kg) | P max (Kg) | S (+0,01/-0,04) | Weight (g) |
|----------------|----|-----|---------|-----|----|------|------|------|-------------|-----|-----|------|------------|------------|-----------------|------------|
| 6700 3 | 3 | 2 | 0.5x45° | 6.1 | 11 | 5.9 | 6.2 | 6.3 | 2.6 | 30° | 0.3 | 9.2 | 80 | 350 | 6 | 1 |
| 6700 4 | 4 | 3.5 | 0.5x45° | 8.8 | 14 | 8.6 | 9 | 11 | 3.3 | 15° | 0.5 | 14.5 | 200 | 360 | 8.75 | 4 |
| 6700 5 | 5 | 3.5 | 0.5x45° | 9.8 | 15 | 9.6 | 10 | 11.5 | 3.3 | 15° | 0.5 | 15.5 | 230 | 450 | 9.75 | 5 |
| 6700 6 | 6 | 4 | 0.5x45° | 12 | 17 | 11.8 | 12.2 | 12 | 3.8 | 15° | 0.5 | 16.5 | 160 | 570 | 11.95 | 8 |
| 6700 8 | 8 | 6 | 0.5x45° | 14 | 19 | 13.8 | 14.2 | 14 | 3.3 | 15° | 0.5 | 18 | 140 | 400 | 13.95 | 11 |
| 6700 10 | 10 | 8 | 0.5x45° | 16 | 21 | 15.8 | 16.2 | 16.5 | 3.5 | 15° | 0.5 | 20.5 | 150 | 650 | 15.95 | 15 |

Fittings Mod. 6750

Female Plug

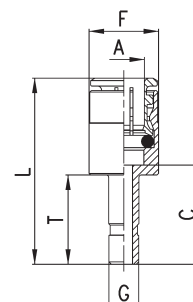


DIMENSIONS

| Mod. | A | G | L | Weight (g) |
|----------------|----|------|------|------------|
| 6750 4 | 4 | 8.8 | 15 | 4 |
| 6750 6 | 6 | 11.8 | 17 | 7 |
| 6750 8 | 8 | 13.8 | 18.5 | 9 |
| 6750 10 | 10 | 15.8 | 21 | 12 |
| 6750 12 | 12 | 17.8 | 20 | 15 |

Fittings Mod. 6850

Enlarger Junction

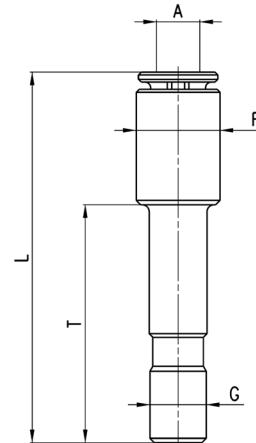


DIMENSIONS

| Mod. | A | G | C | F | L | T | Weight (g) |
|-----------------|---|---|------|------|------|------|------------|
| 6850 6-4 | 6 | 4 | 17.5 | 12.7 | 33.5 | 16.5 | 11 |
| 6850 8-6 | 8 | 6 | 19 | 14 | 36.5 | 18 | 15 |

Fitting Mod. 6800 Micro

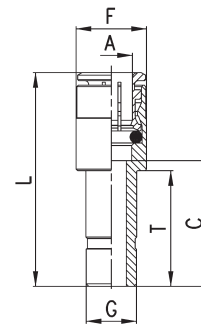
Reducer Junction



| DIMENSIONS | | | | | | |
|-----------------|---|-----|---|----|------|------------|
| Mod. | A | F | G | L | T | Weight (g) |
| 6800 3-4 | 3 | 5.8 | 4 | 26 | 16.5 | 2 |

Fittings Mod. 6800

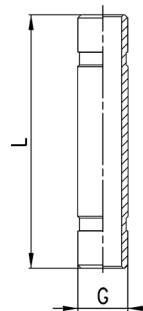
Reducer Junction



| DIMENSIONS | | | | | | | |
|-------------------|----|----|------|------|------|------|------------|
| Mod. | A | G | C | F | L | T | Weight (g) |
| 6800 4-5 | 4 | 5 | 19 | 9 | 33 | 18 | 8 |
| 6800 4-6 | 4 | 6 | 15.5 | 9 | 29.5 | 18 | 9 |
| 6800 4-8 | 4 | 8 | 18 | 9 | 32 | 20.5 | 10 |
| 6800 5-6 | 5 | 6 | 19 | 10 | 34 | 18 | 11 |
| 6800 5-8 | 5 | 8 | 18 | 10 | 33 | 20.5 | 12 |
| 6800 6-8 | 6 | 8 | 18 | 12.7 | 34 | 20.5 | 12 |
| 6800 6-10 | 6 | 10 | 20.5 | 12.7 | 36.5 | 23 | 17 |
| 6800 6-12 | 6 | 12 | 17.5 | 12.7 | 33.5 | 24 | 21 |
| 6800 8-10 | 8 | 10 | 20.5 | 14 | 38 | 23 | 15 |
| 6800 8-12 | 8 | 12 | 21.5 | 14 | 39 | 24 | 22 |
| 6800 10-12 | 10 | 12 | 20.3 | 16.5 | 40.5 | 24 | 27 |
| 6800 10-14 | 10 | 14 | 24.3 | 16.5 | 44.5 | 28 | 33 |
| 6800 12-14 | 12 | 14 | 24.3 | 18.8 | 45.5 | 28 | 27 |

Fittings Mod. 6950

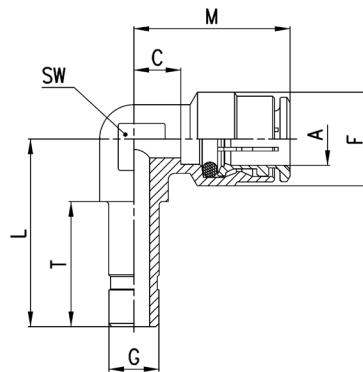
Junction


DIMENSIONS

| Mod. | G | L | Weight (g) |
|----------------|----|------|------------|
| 6950 4 | 4 | 32.5 | 3 |
| 6950 6 | 6 | 35.5 | 4 |
| 6950 8 | 8 | 40.5 | 7 |
| 6950 10 | 10 | 46 | 10 |
| 6950 12 | 12 | 48 | 13 |
| 6950 14 | 14 | 52 | 17 |

Fittings Mod. 6555

Junction Elbow


DIMENSIONS

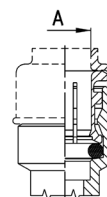
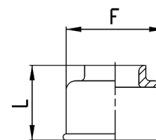
| Mod. | A | G | C | L | F | T | M | SW | Weight (g) |
|-------------------|----|----|-----|------|------|------|------|----|------------|
| 6555 4-4 | 4 | 4 | 3.5 | 22 | 9 | 16.5 | 17.5 | 9 | 8 |
| 6555 6-6 | 6 | 6 | 4 | 24.5 | 12.7 | 18 | 20 | 9 | 14 |
| 6555 8-8 | 8 | 8 | 5 | 27.5 | 14.2 | 20 | 22.5 | 11 | 21 |
| 6555 10-10 | 10 | 10 | 5.8 | 32 | 16.5 | 23 | 26 | 13 | 26 |

Fittings Mod. 6708

Protection caps

Colour: Black

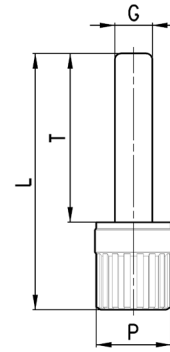
Self-extinguishing material, class V0


DIMENSIONS

| Mod. | A | F | L | Weight (g) |
|----------------|----|------|------|------------|
| 6708 4 | 4 | 10.7 | 10.7 | 1 |
| 6708 5 | 5 | 11.7 | 11 | 1 |
| 6708 6 | 6 | 13.7 | 11.5 | 1 |
| 6708 8 | 8 | 15.7 | 12.5 | 1 |
| 6708 10 | 10 | 18.5 | 13 | 1 |
| 6708 12 | 12 | 20.7 | 15 | 2 |
| 6708 14 | 14 | 23.7 | 15 | 2 |

Accessory Mod. 6900 Micro

Plastic Male Plug

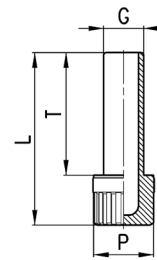


DIMENSIONS

| Mod. | G | L | P | T | Weight (g) |
|---------------|---|------|---|------|------------|
| 6900 3 | 3 | 20.5 | 6 | 13.5 | 1 |

Accessory Mod. 6900

Plastic Male Plug



DIMENSIONS

| Mod. | G | L | P | T | Weight (g) |
|----------------|----|------|----|------|------------|
| 6900 4 | 4 | 29 | 8 | 20 | 1 |
| 6900 5 | 5 | 29.5 | 8 | 20.5 | 1 |
| 6900 6 | 6 | 31.5 | 8 | 22.5 | 1 |
| 6900 8 | 8 | 34.5 | 12 | 24.5 | 2 |
| 6900 10 | 10 | 37 | 12 | 27 | 2 |
| 6900 12 | 12 | 40.5 | 16 | 28.5 | 3 |
| 6900 14 | 14 | 42.5 | 16 | 30.5 | 3 |

Accessory Mod. SP

Disconnecting tube set

The set includes keys to disconnect tubes with diameters between 4 and 12 mm.



Mod.
SP