

Series CLR micro pressure regulators

Ports G1/4, G1/8

With banjo stem with or without relieving

Available with or without banjo in technopolymer



- » Extremely lightweight
- » Compact
- » In-line or console mounting

Series CLR micro pressure regulators are available with G1/8 and G1/4 connections. A piston with or without relieving and VS function (valve with fast draining) has been incorporated into its design.

The body is in brass, while the connection fitting is in technopolymer which guarantees maximum lightness. They can be supplied with or without banjo and can be console mounted.

With a threaded top part of the body both direct mounting to a valve outlet (1/8 and 1/4 threads) and console mounting are easily facilitated.

The pressure is precisely regulated simply by turning the polymer knob with a locking nut available to set the desired output.

GENERAL DATA

Construction	piston
Materials	brass body, technopolymer banjo, stainless steel spring; NBR O-ring
Ports	G1/8 - G1/4
Weight	Kg 0,035
Mounting	in-line or panel mounting (in any position)
Operating temperature	-5°C + 50°C (with the dew point of the fluid lower than 2°C at the min. working temperature)
Inlet pressure	2 ÷ 10 bar
Outlet pressure	0,5 ÷ 10 bar
Nominal flow	see graphs
Secondary pressure relieving	standard (all regulators are provided with high relief flow VS function)

CODING EXAMPLE

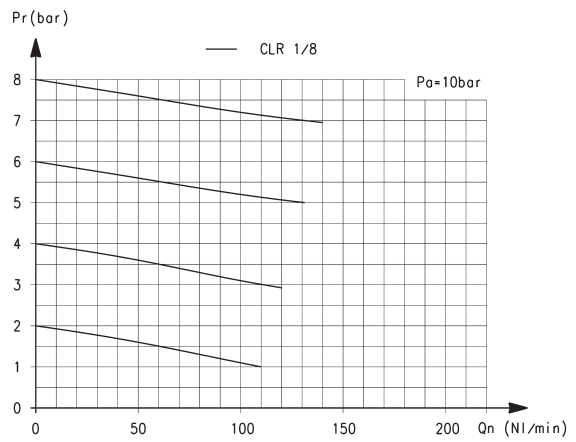
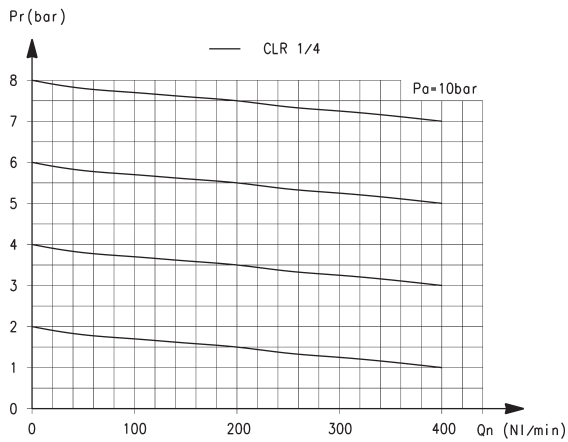
CL	R		1/8	-	01	-	4
----	---	--	-----	---	----	---	---

CL	SERIES
R	R = REGULATOR
1/8	PORTS: 1/8 = G1/8 1/4 = G1/4
	DESIGN TYPE: = with relieving 01 = without relieving
4	TUBE: = without banjo 4 = Ø4 mm (G1/8 only) 6 = Ø6 mm 8 = Ø8 mm

3

TREATMENT

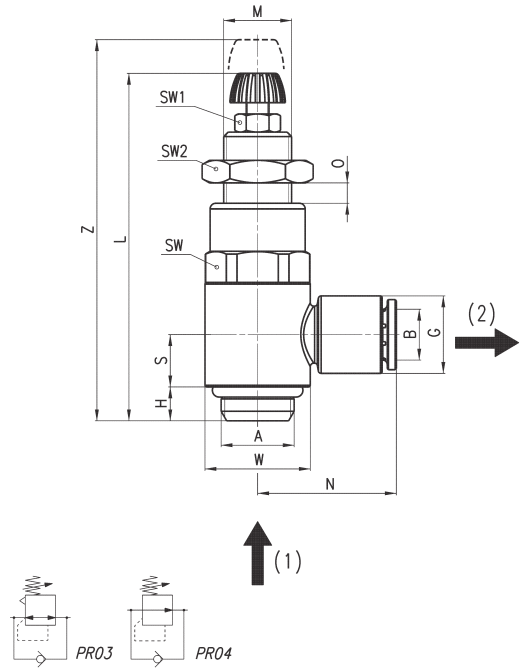
FLOW DIAGRAMS at 6 bar with ΔP1



Pa = Inlet pressure - Pr = Regulated pressure
 Qn = Flow
 CLR 1/4-6 = 209 NI/min
 CLR 1/4-8 = 310 NI/min

Pa = Inlet pressure - Pr = Regulated pressure
 Qn = Flow
 CLR 1/8-4 = 90 NI/min; CLR 1/8-6 = 120 NI/min - CLR 1/8-8 = 120 NI/min

Series CLR Micro pressure regulators with banjo

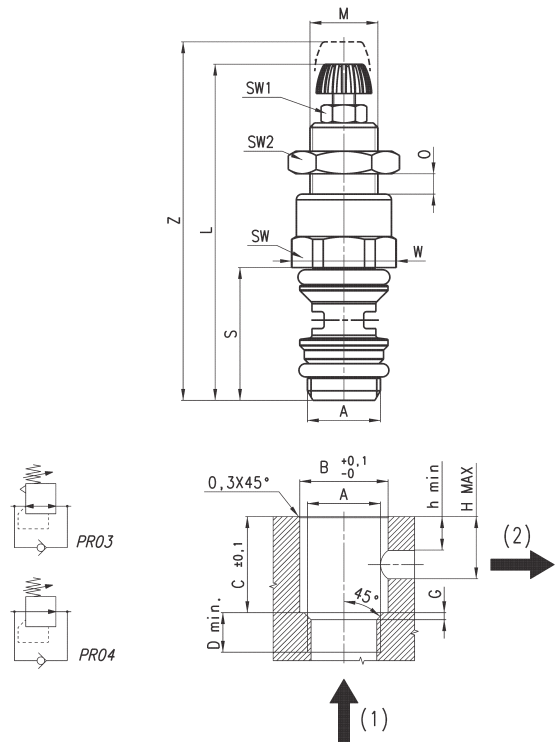


Mod.	A	B	G	H	L	M	N	O	S	W	SW	SW1	SW2	Z
CLR 1/8-4	G1/8	4	11,6	5	52	M11x1	21	0+6,5	7,75	14	14	7	14	59
CLR 1/8-6	G1/8	6	11,6	5	52	M11x1	21	0+6,5	7,75	14	14	7	14	59
CLR 1/8-8	G1/8	8	13,9	5	52	M11x1	22,5	0+6,5	7,75	14	14	7	14	59
CLR 1/4-6	G1/4	6	13,9	6	59,5	M12x1	24,5	0+8	9,25	18,6	17	7	17	68
CLR 1/4-8	G1/4	8	13,9	6	59,5	M12x1	24,5	0+8	9,25	18,6	17	7	17	68

DRAWING NOTE
 (1) = inlet pressure
 (2) = regulated pressure

PR03 = Regulator with relieving and by-pass valve
 PR04 = Regulator without relieving and with by-pass valve

Series CLR Micro pressure regulators without banjo



DIMENSIONS																
Mod.	A	B	C	D min.	G	h min.	H MAX	L	M	O	S	W	SW	SW1	SW2	Z
CLR 1/8	G1/8	11	15.5	6	1	5.5	10	52	M11x1	0+6.5	20.5	15.2	14	7	14	59
CLR 1/4	G1/4	15.65	18.5	7	1.25	7	12	59.5	M12x1	0+8	24.5	18.5	17	7	17	68

DRAWING NOTE
 (1) = inlet pressure
 (2) = regulated pressure

PR03 = Regulator with relieving and by-pass valve
 PR04 = Regulator without relieving and with by-pass valve