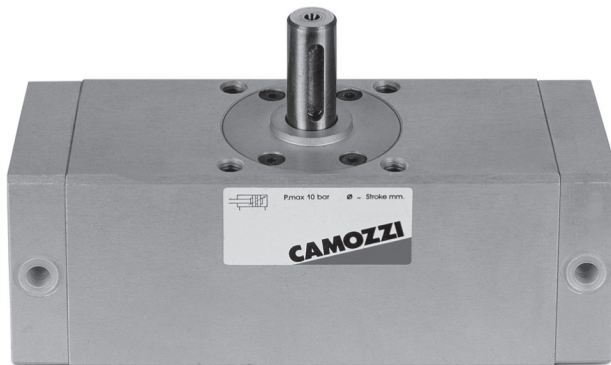


# Series 30 rotary cylinders

1

MOVEMENT

Non magnetic, cushioned and not cushioned  
 ø 50 - 63 - 80 - 100  
 Rotational angles 90° and 180°



**Series 30 rotary cylinders are made of a special Aluminium profile. Their compact dimensions and clean lines give a good aesthetic appearance. A unique wear resistant guide block gives increased service life to the unit.**

Positioning gears are provided for the rotations. On the heads there is a screw which allows rotation to be adjusted by  $\pm 5^\circ$ .

## GENERAL DATA

<b>Type of construction</b>	profile
<b>Operation</b>	double acting
<b>Materials</b>	aluminium profile body & end blocks - NBR seals - other parts - hardened steel
<b>Mounting</b>	by means of holes in body
<b>Bore</b>	ø 50 - 63 - 80 - 100
<b>Installation</b>	in any position
<b>Working temperature</b>	0°C ÷ 50°C (- 20°C on dry air)
<b>Standard rotation</b>	90° - 180°
<b>Operating pressure</b>	0.5 ÷ 10 bar
<b>Fluid</b>	clean air with or without lubrication

**TABLE OF TORQUE FORCE IN Nm (THEORETICAL)**

∅	1 bar	2 bar	3 bar	4 bar	5 bar	6 bar	7 bar	8 bar	9 bar	10 bar
<b>50</b>	2,08	4,16	6,24	8,32	10,40	12,48	14,55	16,63	18,71	20,79
<b>63</b>	4,40	8,80	13,20	17,61	22,01	26,41	30,81	35,21	39,61	44,01
<b>80</b>	7,10	14,19	21,29	28,39	35,49	42,58	49,68	56,78	63,87	70,97
<b>100</b>	16,63	33,27	49,90	66,54	83,17	99,80	116,44	133,07	149,07	166,34

**CODING EXAMPLE**

<b>30</b>	<b>-</b>	<b>050</b>	<b>/</b>	<b>090</b>	<b>-</b>	<b>3</b>
-----------	----------	------------	----------	------------	----------	----------

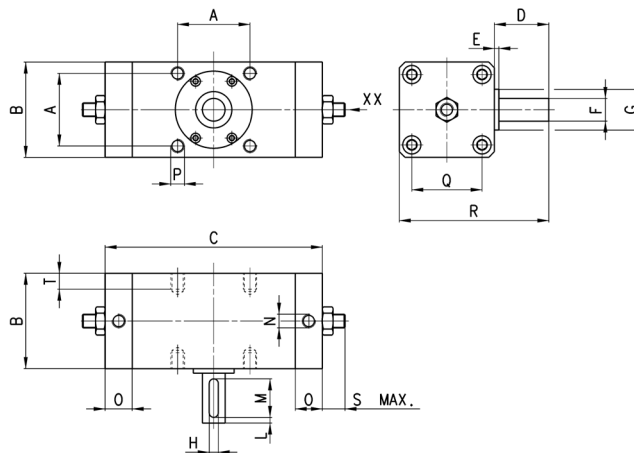
<b>30</b>	SERIES	PNEUMATIC SYMBOL CD17
<b>050</b>	BORE 050 = 50 mm 063 = 63 mm 080 = 80 mm 100 = 100 mm	
<b>090</b>	ROTATIONAL ANGLES 090 = 90° 180 = 180°	
<b>3</b>	Not cushioned	

**PNEUMATIC SYMBOLS**

The pneumatic symbols which have been indicated in the CODING EXAMPLE are shown below.



Series 30 rotary cylinders - cushioned

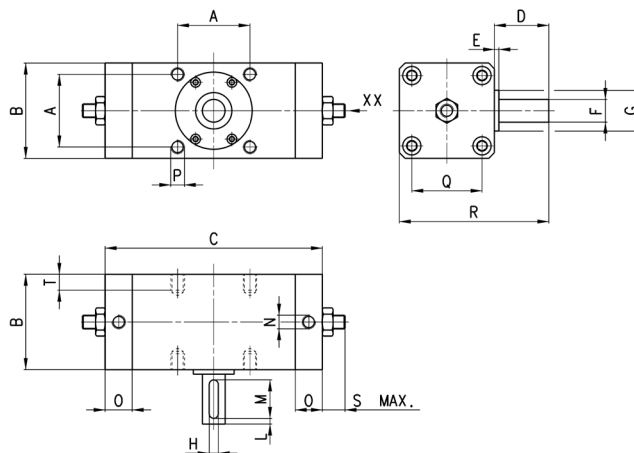


XX = Screw for stroke regulation

DIMENSIONS

Mod.	A	B	C	D	E	F <sup>h7</sup>	G	H	L	M	N	O	P	Q	R	S	T
30-050/090	48	62	162	36	2.5	15	25	5	5	25	G1/8	23	M8 x 1.25	46	98	8	8
30-063/090	60	76	186	41	2.5	17	30	6	5	30	G1/8	24	M10 x 1.5	57	117	8	12
30-080/090	72	92	195	50	3	20	35	6	5	35	G1/4	23,5	M12 x 1.75	70	142	9	13
30-100/090	85	112	247	60	4	25	40	8	5	40	G3/8	26	M12 x 1.75	85	172	9	14
30-050/180	48	62	199	36	2.5	15	25	5	5	25	G1/8	26	M8 x 1.25	46	98	8	8
30-063/180	60	76	237	41	2.5	17	30	6	5	30	G1/8	24	M10 x 1.5	57	117	8	12
30-080/180	72	92	245	50	3	20	35	6	5	35	G1/4	23,5	M12 x 1.75	70	142	9	13
30-100/180	85	112	313	60	4	25	40	8	5	40	G3/8	26	M12 x 1.75	85	172	9	14

Series 30 rotary cylinders - not cushioned



XX = Screw for stroke regulation

DIMENSIONS

Mod	A	B	C	D	E	F <sup>h7</sup>	G	H	L	M	N	O	P	Q	R	S	T
30-050/090-3	48	62	150	36	2.5	15	25	5	5	25	G1/8	17	M8 x 1.25	46	98	8	8
30-063/090-3	60	76	172	41	2.5	17	32	6	5	30	G1/8	17	M10 x 1.5	57	117	8	12
30-080/090-3	72	92	191	50	3	20	35	6	5	35	G1/4	21,5	M12 x 1.75	70	142	9	13
30-100/090-3	85	112	245	60	4	25	40	8	5	40	G3/8	25	M12 x 1.75	85	172	9	14
30-050/180-3	48	62	187	36	2.5	15	25	5	5	25	G1/8	17	M8 x 1.25	46	98	8	8
30-063/180-3	60	76	233	41	2.5	17	32	6	5	30	G1/8	17	M10 x 1.5	57	117	8	12
30-080/180-3	72	92	241	50	3	20	35	6	5	35	G1/4	21,5	M12 x 1.75	70	142	9	13
30-100/180-3	85	112	311	60	4	25	40	8	5	40	G3/8	25	M12 x 1.75	85	172	9	14

Products designed for industrial applications.  
General terms and conditions for sale are available on [www.camozzi.com](http://www.camozzi.com).