

Foot operated pedal

Electrical and pneumatic - Series 3

Pneumatic - Series 2

Series 3: G1/4, 5/2-way - NC / NO contacts

Series 2: M5; 4/2 tube; 3/2-way NC



The pedals can be supplied in either a pneumatic or electrical foot operated version. The pneumatic type is available with a 5/2 valve and G1/4 front ports, which allow the fittings and silencers to be assembled conveniently on the front face. A 3/2 operation can be obtained by closing an outlet port.

The electrical type is available with a single-pole changeover contact microswitch and a front wire outlet (PG9).

The pedal can be operated as bistable or monostable, by switching the selector placed under the small red protection flap, as shown in the drawing.

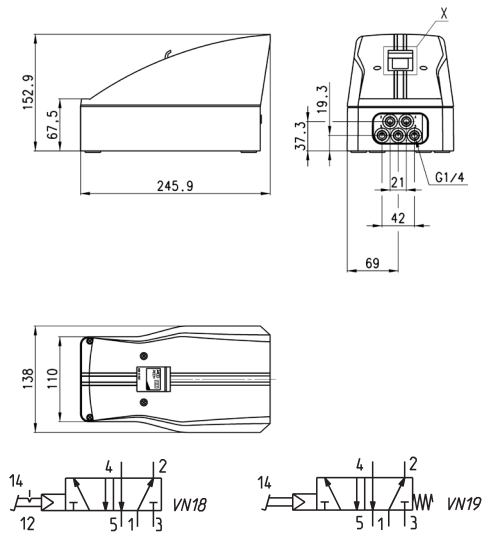
GENERAL DATA

Construction	spool-type
Valve group	5/2, 3/2 NC way/pos.
Materials	- Series 3: aluminium body - stainless steel spool - NBR seals - plastic casing - Series 2: aluminium body - OT58 poppet - NBR seals.
Ports	- Series 3: G1/4 gas - Series 2: M5; tube 4/2.
Ambient temperature	0°C + 50 °C (with dry air at - 10°C)
Medium temperature	0°C + 50 °C
Construction	single-pole changeover contact microswitch
Cable entry	by means of wire PG9
Protection class	IP20
Fluid	Filtered air, without lubrication.

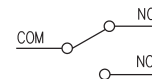
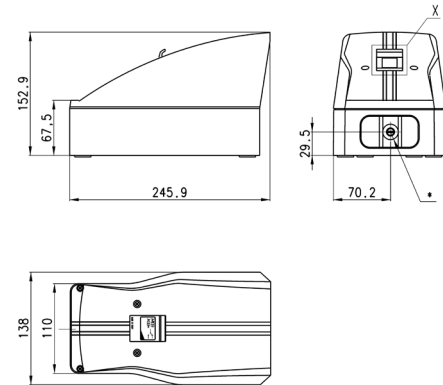
If lubricated air is used, it is recommended to use ISO VG32 oil. Once applied the lubrication should never be interrupted.


Pneumatic foot operated pedal Series 3

Actuating force at 6 bar = 17N
 Operating pressure = 2,5 ÷ 8 bar
 Flow rate = 650NI/min.



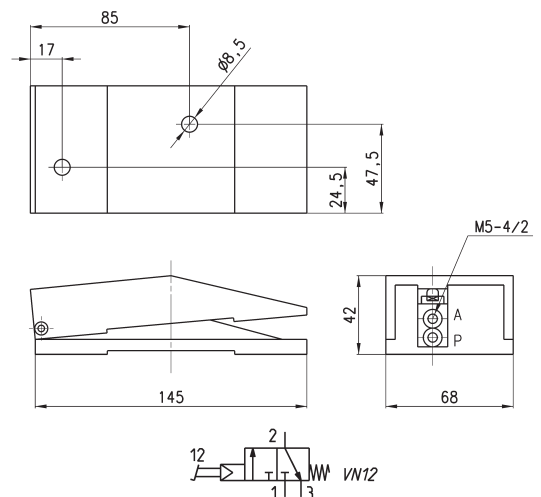
Mod.	Symbol
354N-925	VN18 - VN19


Electrical foot operated pedal Series 3


Mod.
3E2-925


Pneumatic foot operated pedal Series 2

Operating pressure = 2 ÷ 8 bar
 Flow rate = 60 NI/min.



Mod.
234-925
235-925