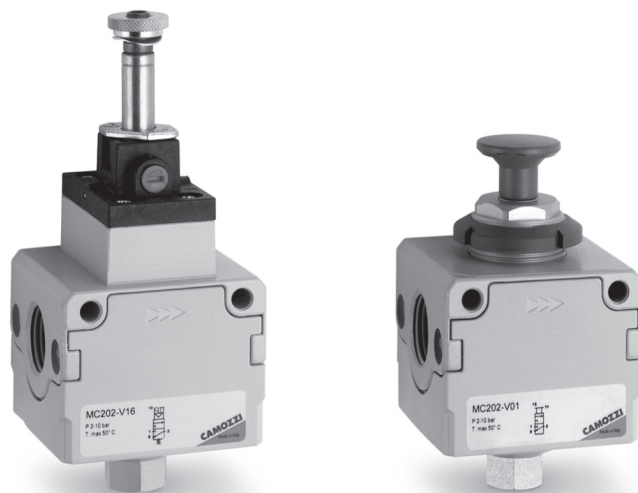


Series MC lockable isolation 3/2-way valves

Electropneumatic, pneumatic and manual version
Ports G1/4, G3/8 and G1/2
Modular



Positioning of these valves is often before the FRL unit.
The lockable isolation valves are available with ports G1/4, G3/8 and G1/2 and can be panel mounted.

The 3-way lockable isolation valves are available in the electropneumatic, pneumatic and manual version and are designed to block the air inlet of the FRL group and so pressurise and depressurise the equipment.

GENERAL DATA

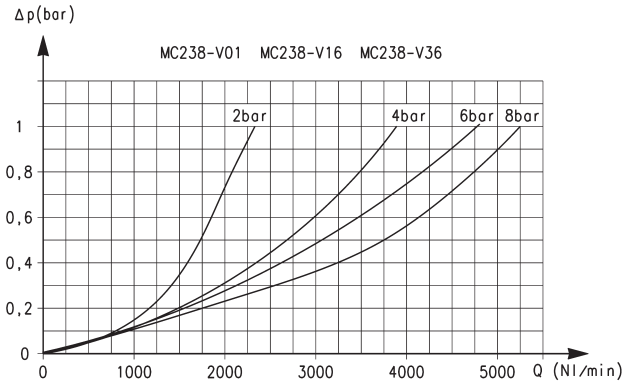
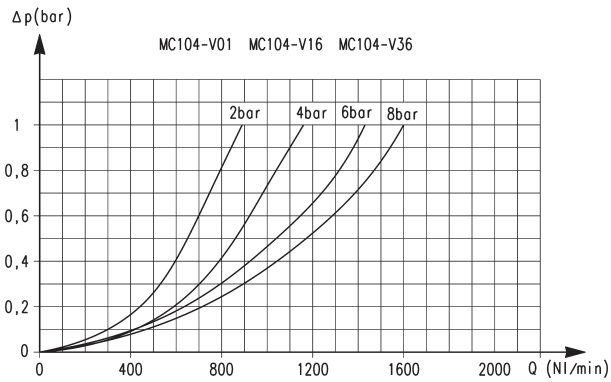
Construction	modular compact, poppet-type
Materials	zama, NBR, technopolymer
Ports	G1/4 G3/8 G1/2
Weight	kg 0,277 kg 0,536 kg 0,514
Mounting	in-line, wall or panel mounting (in any position)
Operating temperature	-5°C + 50°C (with the dew point of the fluid lower than 2°C at the min. working temperature)
Finishing	enamelled
Operating pressure	2 + 10 bar (-0,8 + 10 bar in the pneumatic version)
Nominal flow	see graphs
Nominal exhaust flow	G1/4 = 1080 NI/min G3/8 = 2380 NI/min G1/2 = 2380 NI/min
Flow determined	at 6 bar with $\Delta p = 1$ bar

CODING EXAMPLE

MC	2	02	-	V	16
-----------	----------	-----------	----------	----------	-----------

MC	SERIES
2	SIZE: 1 = G1/4 2 = G3/8 - G1/2
02	PORTS: 04 = G1/4 38 = G3/8 02 = G1/2
V	V = 3/2-WAY VALVE
16	DESIGN TYPE: 16 = electropneumatic 36 = pneumatic 01 = padlock valve (manual command)

FLOW DIAGRAMS



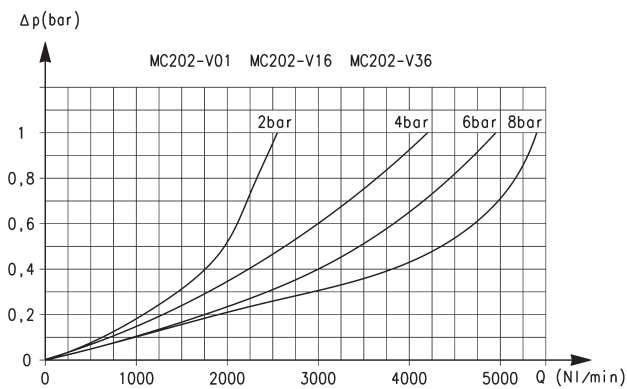
Flow diagram for models:
 MC104-V01
 MC104-V16
 MC104-V36

ΔP = Pressure drop
 Q = Flow

Flow diagram for models:
 MC238-V01
 MC238-V16
 MC238-V36

ΔP = Pressure drop
 Q = Flow

FLOW DIAGRAM



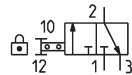
Flow diagram for models:
 MC202-V01
 MC202-V16
 MC202-V36

ΔP = Pressure drop
 Q = Flow

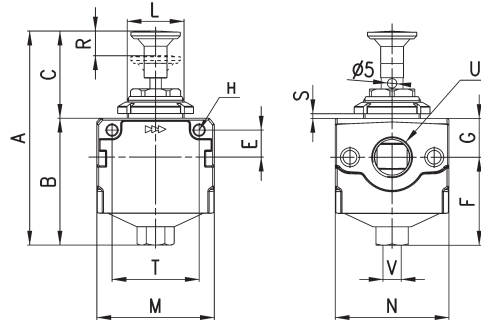
Lockable isolation valves Series MC - manual version



VN02



Actuating force at 6 bar :
 - MC104-V01 = 29N
 - MC238-V01 = 31N
 - MC202-V01 = 31N

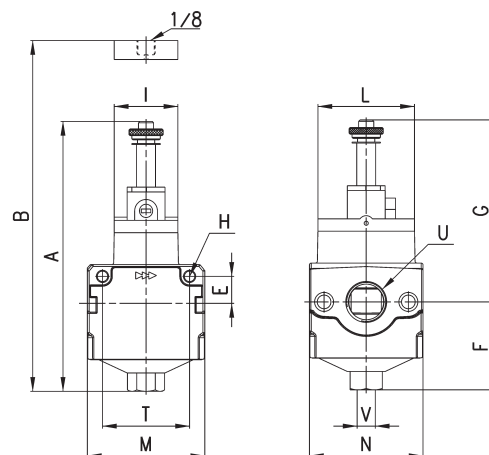
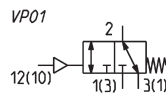
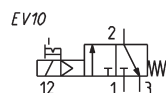


DIMENSIONS

Mod.	A	B	C	E	F	G	H	L	M	N	R	S	T	U	V
MC104-V01	96,5	54,5	42	11	38,5	16	4,5	M30x1,5	45	45	9	0 + 6	35	G1/4	G1/8
MC238-V01	113	67	46	14	46,5	20,5	5,5	M30x1,5	62	60	13	0 + 6	46	G3/8	G1/4
MC202-V01	113	67	46	14	46,5	20,5	5,5	M30x1,5	62	60	13	0 + 6	46	G1/2	G1/4

Lockable isolation valves Series MC - electro-/pneumatic version

EV10 = solenoid valve, 3/2 NC, monostable, with bistable manual override
 VP01 = pneumatically operated valve, 3/2, monostable, mechanical spring



DIMENSIONS

Mod.	A	B	E	F	G	H	I	L	M	N	T	U	V	Symbol
MC104-V16	120	-	11	38,5	81,5	4,5	22	32	45	45	35	G1/4	G1/8	EV10
MC238-V16	142,5	-	14	46,5	96	5,5	33,5	51	62	60	46	G3/8	G1/4	EV10
MC202-V16	142,5	-	14	46,5	96	5,5	33,5	51	62	60	46	G1/2	G1/4	EV10
MC104-V36	-	77,5	11	38,5	-	4,5	22	32	45	45	35	G1/4	G1/8	VP01
MC238-V36	-	93,5	14	46,5	-	5,5	33,5	51	62	60	46	G3/8	G1/4	VP01
MC202-V36	-	93,5	14	46,5	-	5,5	33,5	51	62	60	46	G1/2	G1/4	VP01