

# Series NA valves and solenoid valves

3/2 - 5/2 - 5/3-way CC CO CP  
with holes configured according NAMUR standards



The pneumatic interface connection complies with NAMUR standards.  
These solenoid valves can be equipped with solenoids that are in compliance with UL or ATEX standards.

## GENERAL DATA

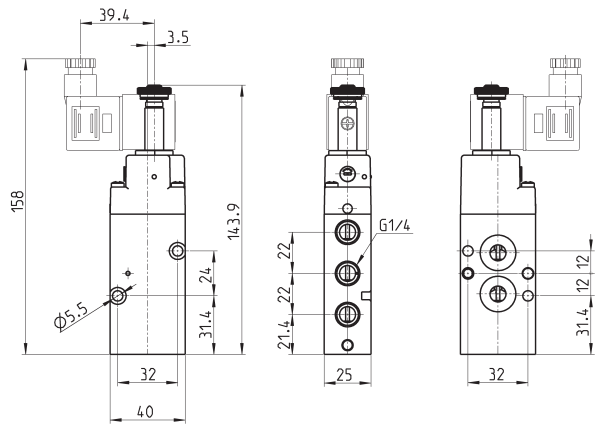
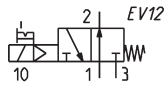
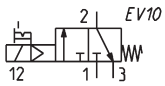
<b>Construction</b>	spool type (servo-pilot operated)
<b>Valve functions</b>	3/2-way NC, NO - 5/2-way - 5/3-way CC, CO, CP
<b>Materials</b>	AL body - stainless steel spool - NBR seals
<b>Mounting</b>	through 2 Ø5 holes in the valve body
<b>Ports</b>	2 - 4 = NAMUR 1 - 3 - 5 = G1/4
<b>Installation</b>	directly on a Namur Interface
<b>Operating temperature</b>	0 ÷ 60°C (using dry air -20°C)
<b>Operating pressure</b>	1,5 - 10 bar double solenoid 2,5 - 10 bar single solenoid
<b>Nominal pressure</b>	6 bar
<b>Nominal flow</b>	Qn = 1000 NI/min
<b>Nominal diameter</b>	8 mm
<b>Fluid</b>	filtered air without lubrication. If lubricated air is used, it is recommended to use ISOVG32 oil, and to never interrupt the lubrication.

**CODING EXAMPLE**

<b>NA</b>	<b>5</b>	<b>4N</b>	<b>-</b>	<b>15</b>	<b>-</b>	<b>02</b>	<b>-</b>	<b>U7</b>	<b>7</b>
-----------	----------	-----------	----------	-----------	----------	-----------	----------	-----------	----------

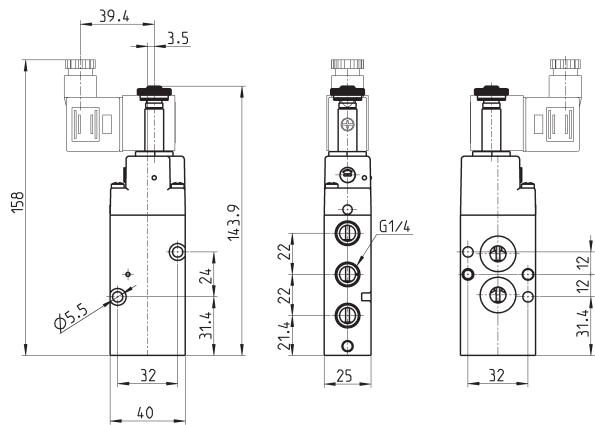
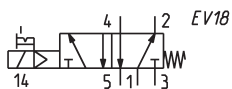
<b>NA</b>	SERIES NAMUR
<b>5</b>	NUMBER OF WAYS - POSITIONS: 3 = 3/2 NC 4 = 3/2 NO 5 = 5/2 6 = 5/3 CC 7 = 5/3 CO 8 = 5/3 CP
<b>4N</b>	PORTS: 4N = G1/4 supply ports according NAMUR standards
<b>15</b>	ACTUATION: 11 = double solenoid 15 = single solenoid, spring return 33 = pneumatic pneumatic 35 = pneumatic, spring
<b>02</b>	SOLENOID INTERFACE: 02 = mech. sol. 22 x 22
<b>U7</b>	SOLENOID MATERIAL / SOLENOID DIMENSIONS: A8 = PPS / 30 x 30 G7 = PA / 22 x 22 G8 = PA / 30 x 30 (24 V DC only) G9 = PA / 22 x 58 H8 = Self-extinguishing PA, Explosion-proof / 30 x 30 U7 = PET / 22 x 22
<b>0</b>	SOLENOID VOLTAGE: see solenoids section on page 2.2.35.01

3/2-way solenoid valve NC and NO



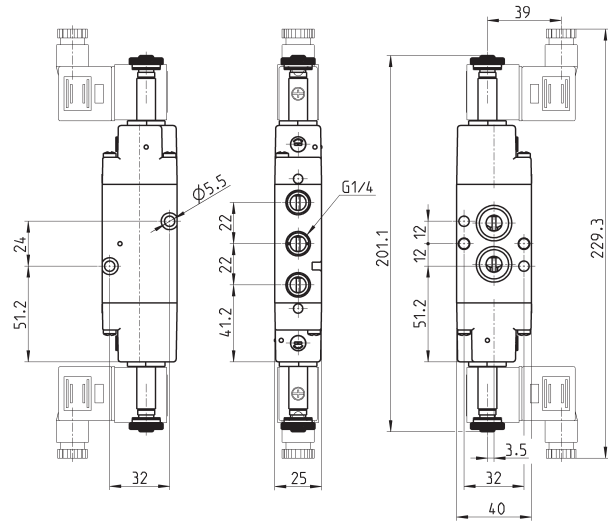
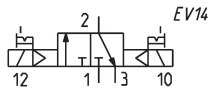
Mod.	Symbol
NA34N-15-02	EV10
NA44N-15-02	EV12

5/2-way solenoid valve, monostable



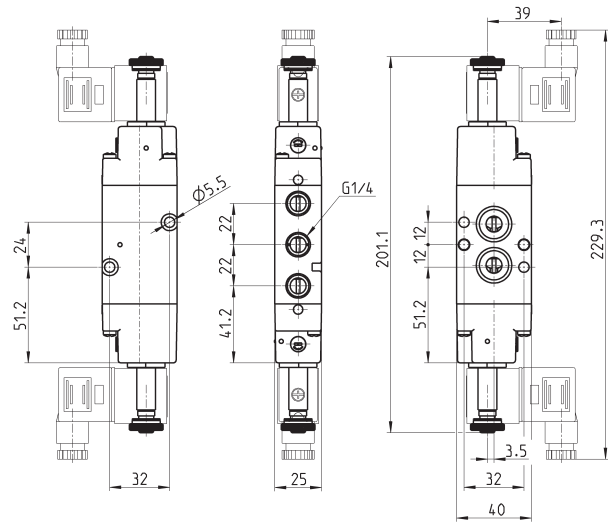
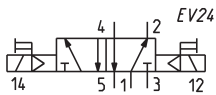
Mod.
NA54N-15-02

3/2-way solenoid valve, bistable



Mod.  
NA34N-11-02

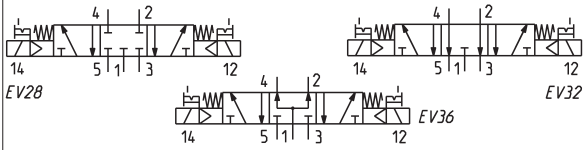
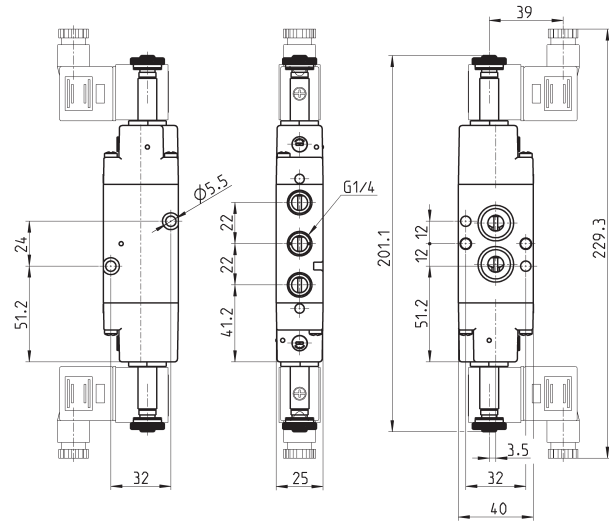
5/2-way, solenoid valve, bistable



Mod.  
NA54N-11-02

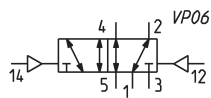
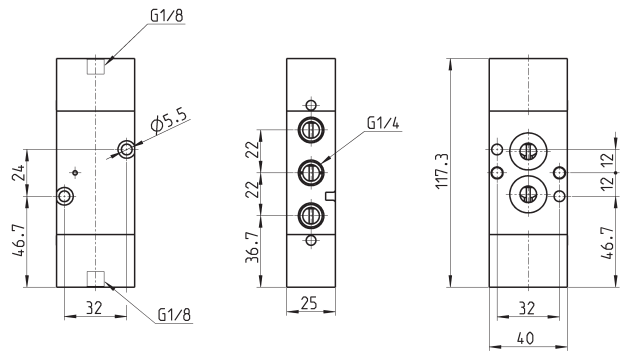
2/2.30.04

5/3-way solenoid valve CC CO CP

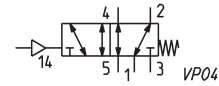
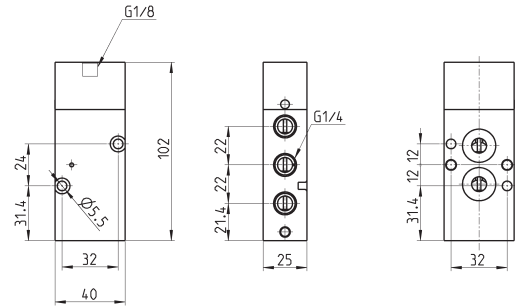


Mod.	Symbol
NA64N-11-02	EV28
NA74N-11-02	EV32
NA84N-11-02	EV36

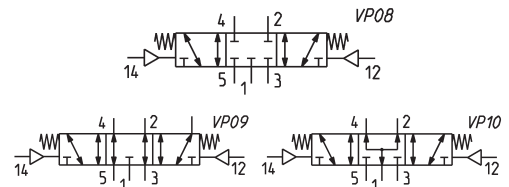
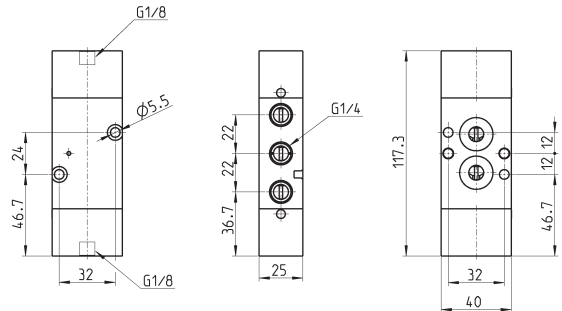
5/2-way pneumatic valve, bistable



Mod.
NA54N-33

**5/2-way pneumatic valve, monostable**


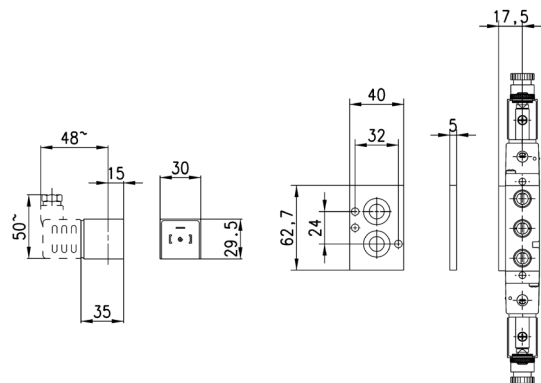
Mod.	
<b>NA54N-35</b>	

**5/3-way pneumatic valve CC CO CP**


Mod.	
<b>NA64N-33</b>	VP08
<b>NA74N-33</b>	VP09
<b>NA84N-33</b>	VP10

**Single subbase Mod. NA54-PC**

Distance plate for the mounting of Series H8 solenoids

 Supplied with:  
 2x screws  
 2x O-rings


Mod.	
<b>NA54-PC</b>	