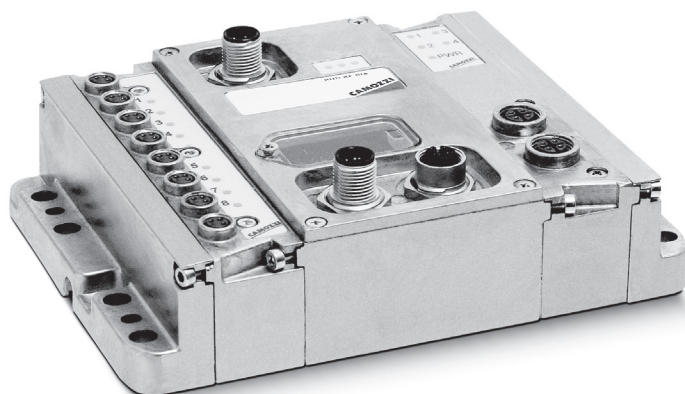


Series CP2, CC2, CD2 Individual Fieldbus Nodes

Interface with: Profibus-DP; CANopen and DeviceNet



- » Maximum flexibility in use
- » Mounting in arduous conditions
- » Easily modifiable

Electric output mod. that can be coupled are: connect. D-Sub- 37 pin for 8/16/24/32 outlets or with 2 M12 connect. for 4 outlets. Input mod. have 8xM8 connect. and supply sensors rated up to a max of 100mA. All modules are connected by plug and socket and addressing is done by rotary switch for easy configuration.

Suitable connectors in the section 2/3.25.

This is a Fieldbus Module with class of protection IP65. Thanks to the high mechanical strength of its Aluminium support structure, it is suitable for mounting in arduous conditions. It can be coupled with electrical input/outlet modules and is able to handle up to a max of 64 solenoids and 64 inputs. Through pre-packaged connection cables, it can be interfaced with multipole valve islands.

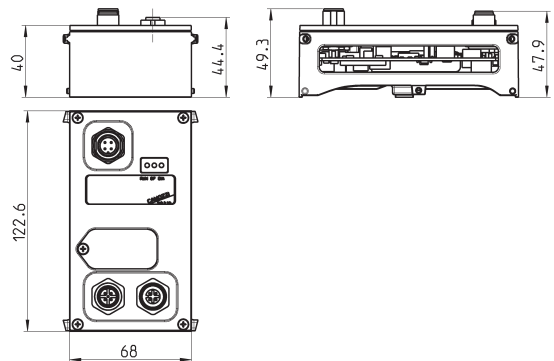
GENERAL DATA

Number of digital output	64
Number of digital input	64
Maximum input absorption	1,5 A
Maximum output absorption	3 A
Signalling Led	CP2: 1 led green RUN, 1 led red DIA, 1 led red BF CD2: 1 led green IO, 1 led red NS, 1 led red MS CC2: 1 led green RUN, 1 led red DIA, 1 led red BF
FieldBus Protocol	CP2: Profibus-DP CD2: DeviceNet CC2: CanOpen
Maximum number of nodes	CP2: 32/127 CD2: 64 CC2: 127
Maximum Baud rate	CP2: 12 Mbit/sec CD2: 500 Kbit/sec CC2: 1 Mbit/sec
Logical supply voltage *	24VDC (-15% / + 20%)
Power supply voltage *	24VDC (for the tolerance, consider the total loads of the connected inputs)
Protection	overload and reverse polarity
Protection class	IP65
Conform with standards	EN-61326-1 EN-61010-1
Operating temperature	0-50°C
Material	Aluminium
Weight	250 g
Dimensions	130x68 mm

* the voltage range can change according to the range required by the external connected elements.

CODING EXAMPLE				
CP2	-	3A	-	BC
CP2	CP2 = Profibus-DP CC2 = CANopen CD2 = DeviceNet			
3A	0 = no module nA = numbers of modules 8 Input (n = 1+8) * * not for DeviceNet version			
BC	0 = no module nB = numbers of modules 4 output M12 duo nC = numbers of modules 8 output sub-d 37 pin nD = numbers of modules 16 output sub-d 37 pin nE = numbers of modules 24 output sub-d 37 pin nF = numbers of modules 32 output sub-d 37 pin (es. 3 modules A + 2 modules E = 3A2E)			

Individual Fieldbus nodes



Mod.	Fieldbus Protocol
CP2-0-0	Profibus-DP
CC2-0-0	CANopen
CD2-0-0	DeviceNet

Fieldbus modules - Characteristics

Bus-In Bus-Out system for connection to the Fieldbus network.

Double electrical supplies (one for control and the other for power).

Addressing via rotary switches.

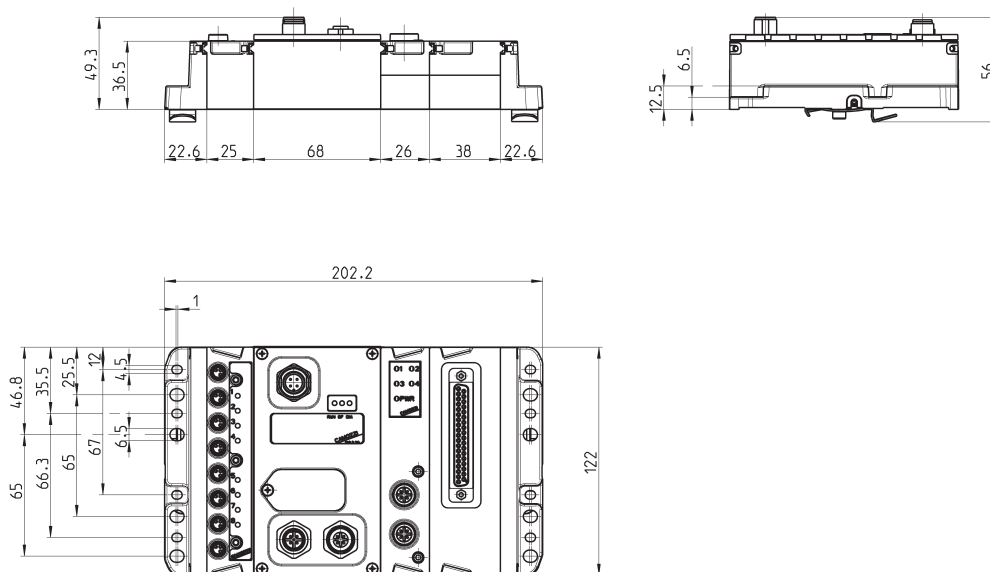
Leds indicating the working state.

Handling of a max n° of 64 inputs and 64 outputs.

Electrical connections on the same side as the pneumatic connections. The output modules can be positioned on the right hand side of the node and they provide either 2 x M12 or 37 pole Sub-D connection. In the same way it is possible to position the input modules on the left hand side, which provide 8 inputs with M8 connection. All elements can be easily inserted because of their direct connection to the plate. It is possible to use this node directly integrated on pneumatic solutions such as Series 3 and H.

Each node is part of the serial system.

Manuals and configuration files are available on our website: <http://catalogue.camozzi.com/Downloads>.



Digital outputs module with D-SUB - 37 pin connector Mod. ME-xxxx-DD

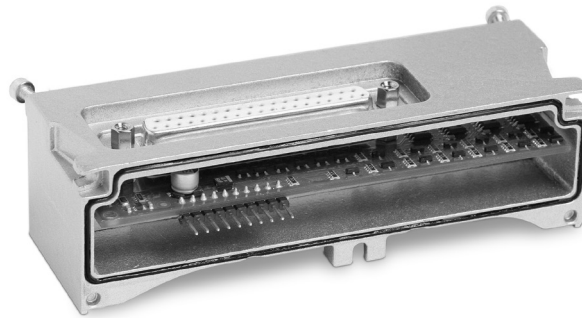
It can be also used for the connection of multipole valve islands.

Series 3: up to a max number of 22 solenoids on 11 valve positions.

Series Y: see the valve island configuration.

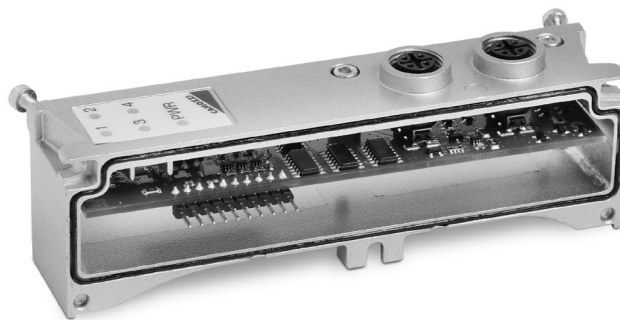
Series H: up to a max number of 32 solenoids on 16 valve positions.

Series F: up to a max number of 23 solenoids on 23 valve positions.



GENERAL DATA				
	ME-0032-DD	ME-0024-DD	ME-0016-DD	ME-0008-DD
Number of digital outputs	32	24	16	8
Connection	female D-SUB 37 poles	female D-SUB 37 poles	female D-SUB 37 poles	female D-SUB 37 poles
Connectors	1	1	1	1
Dimensions	130 x 38 mm	130 x 38 mm	130 x 38 mm	130 x 38 mm
Type of signal	24 V DC PNP	24 V DC PNP	24 V DC PNP	24 V DC PNP
Overload protection	1 A every 8 outputs	1 A every 8 outputs	1 A every 8 outputs	1 A every 8 outputs
Power consumption without load	5 mA	5 mA	5 mA	5 mA
Protection class	IP65	IP65	IP65	IP65
Operating temperature	0°C + 50 °C	0°C + 50 °C	0°C + 50 °C	0°C + 50 °C
Material	Aluminium	Aluminium	Aluminium	Aluminium
Weight	100 g	100 g	100 g	100 g

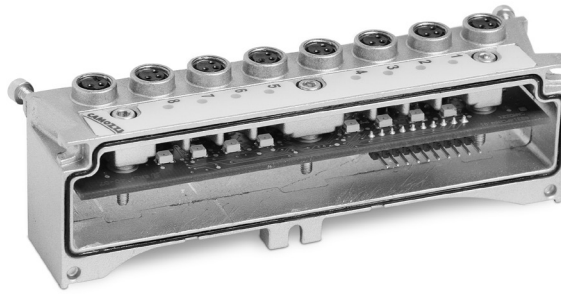
Digital output module with M12 DUO connector Mod. ME-0004-DL



GENERAL DATA	
	ME-0004-DL
Number of digital outputs	4
Connection	female M12 5 Poles Duo
Number of connectors	2
Dimensions	130 x 25 mm
Signalling	1 Yellow Led for each single outlet 1 Green Led for power supply presence on the module
Outlet voltage	24 V DC
Signal	24 V DC PNP
Overload protection - Supply voltage	total 900 mA
Power consumption without load	10 mA
Protection class	IP65
Temperature	0°C + 50 °C
Material	Aluminium
Weight	100 g

Digital input Module Mod. ME-0800-DC*

* not for DeviceNet



GENERAL DATA

Number of digital inputs	8
Connection	M8 3 pin
Number of connectors	8
Dimensions	130 x 25 mm
Signalling	yellow led for each inlet
Sensors supply	24V DC
Overload protection	400 mA every 4 sensors
Power consumption	10 mA
Type of signal	PNP
Protection class	IP65
Operating temperature	0-50°C
Material	Aluminium
Weight	110 g