

180° Angular Gripper Series CGS

1

Magnetic

Sizes 16 - 20 - 25 - 32

- » Free working area
- » Flexible Mounting



These can be inserted in the U-shaped grooves on the body in order to detect whether the gripper is in an open or closed position.

Gripper mod. CGS has mounting holes on three sides which provides flexibility in installation. The gripper can also be equipped with an optional installation adapter mod. L-CGP, female or CCGP male, for easier installation.

Series CGS is available in 4 different sizes and the fingers open 180° in order to enable the gripper to pass certain areas without colliding with other elements. In this way it may be possible to reduce the number of movements in a working sequence. A link mechanism provides high gripping force. The piston is equipped with permanent magnet for use of magnetic proximity switches mod. CSB.

GENERAL DATA

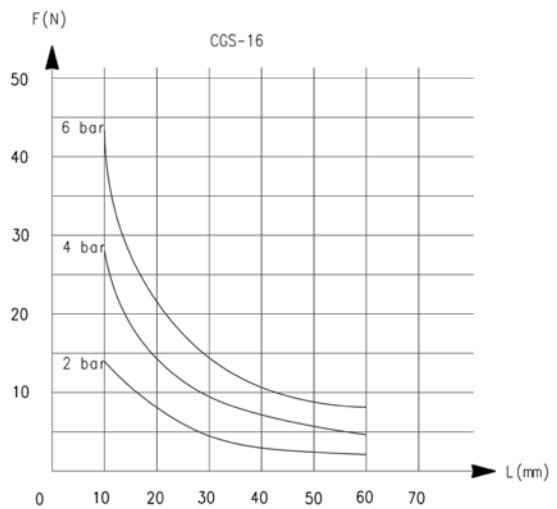
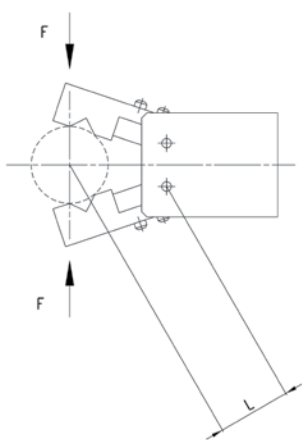
Model	CGS-16	CGS-20	CGS-25	CGS-32
Bore sizes (mm)	16	20	25	32
Type of operation	double-acting			
Fluid	filtered air, without lubrication*			
Operating pressure	1.5 bar - 7 bar			
Operating temperature	0°C ÷ 80°C			
Max. operating frequency	60 cycles/min			
Lubrication	lever section lubrication required on sliding section			
Grip moment - M (Ncm) closed	8xP	17xP	34xP	61xP
Grip moment - M (Ncm) open	11xP	23xP	43xP	81xP
Effective gripping force (F) N	F = M/L x 0,9 L = gripping point length (cm)			
Length of max. gripping point L (cm)	6	8	10	12
Weight (g)	140	240	400	700
Lever open/close angles	-1° ÷ +186°			
Repeatability	+/- 0,2mm			
Port	M5			
	*in the event that lubricated air is used, it is recommended to use oil ISO VG32. Once applied, the lubrication should never be interrupted.			

CODING EXAMPLE

CGS	-	20
-----	---	----

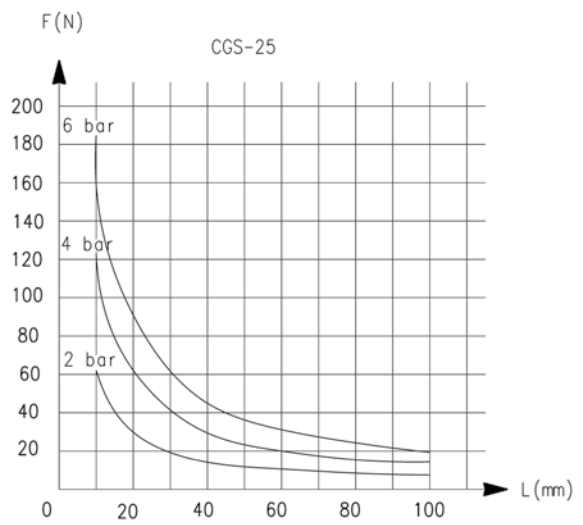
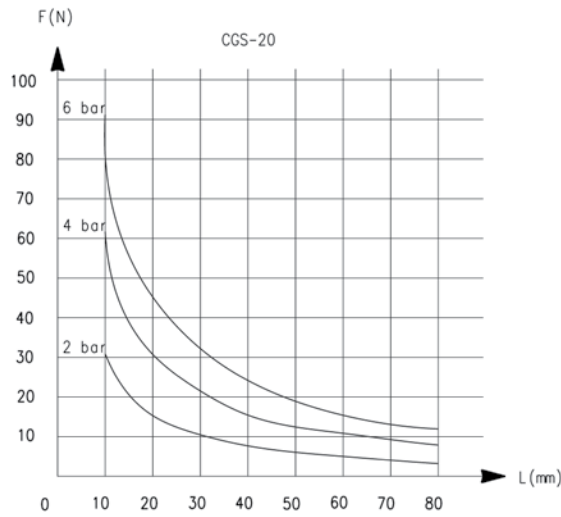
CGS	SERIES
20	SIZES 16 = ø 16 mm 20 = ø 20 mm 25 = ø 25 mm 32 = ø 32 mm

GRIPPING FORCE CHARACTERISTICS



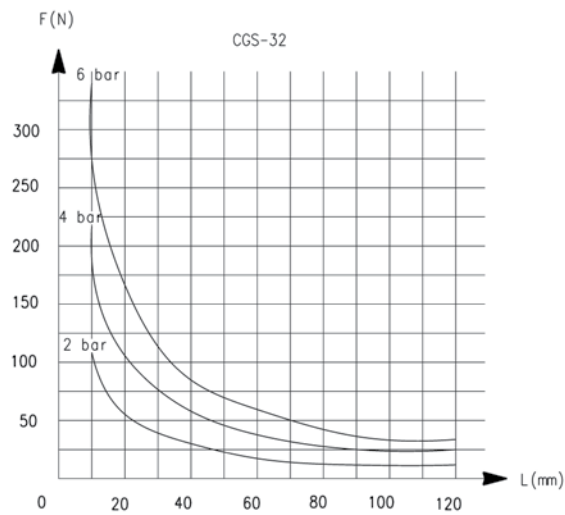
L = Gripping point length
F = Gripping Force

GRIPPING FORCE CHARACTERISTICS



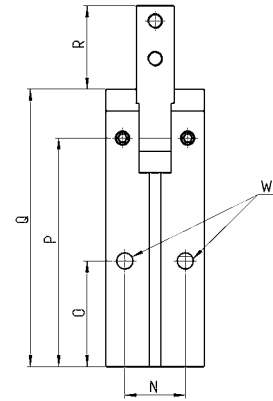
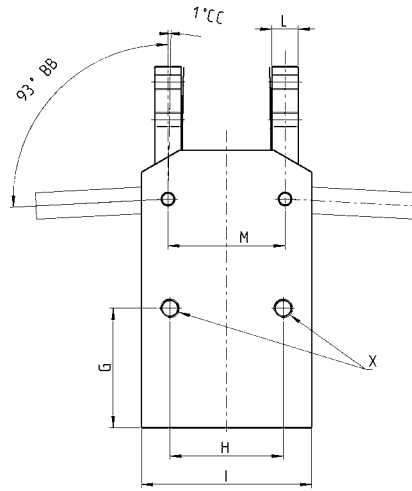
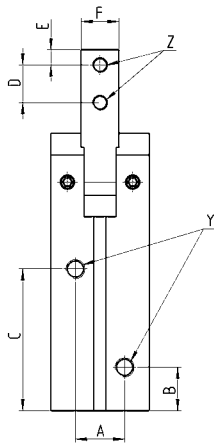
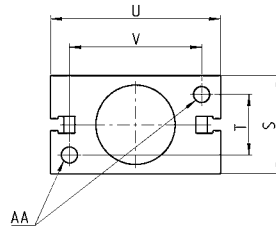
L = Gripping point length
F = Gripping Force

GRIPPING FORCE CHARACTERISTICS



L = Gripping point length
F = Gripping Force

Angular grippers 180° Series CGS



Y = port connection
 Z = claw mounting-hole
 X.W.AA = Mounting hole
 BB = opened
 CC = closed

DIMENSIONS

Mod.	A	B	C	D	E	F	G	H	I	L	M	N	O	P	Q	R	S	T	U	V
CGS-16	12	10	34	8	4	8	31	25	34	5,5	25	14	25	52	63	17,4	22	14	34	26
CGS-20	13	11,5	37,5	10	4	10	31,6	31	45	7	31	16	28	60,5	73,4	2,1	26	16	45	35
CGS-25	16	12,3	43	14	7	12	35	37	52	9	37	20	30	67,5	83	29,5	32	20	52	40
CGS-32	24	14,6	49,5	16	9	14	40	46	60	11	46	26	35	79	97,7	36,8	40	26	60	46

DIMENSIONS

Mod.	X thread	X depth	Y thread	Y depth	W thread	W depth	Z thread	Z depth	AA thread	AA depth
CGS-16	M4	9	M5	-	M4	7	M3	-	M4	7
CGS-20	M5	8	M5	-	M5	10	M4	-	M5	8
CGS-25	M5	8	M5	-	M5	8	M5	-	M5	8
CGS-32	M6	10	M5	-	M6	8	M6	-	M6	10