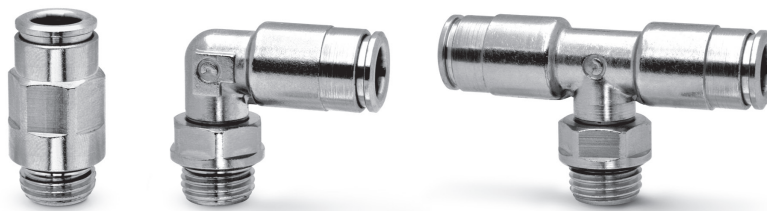


# Series 8000 dual seal super-rapid fittings

Tube external diameters: 4, 6, 8, 10 and 12 mm  
Fittings threads: BSP (G1/8, G1/4, G3/8, G1/2)



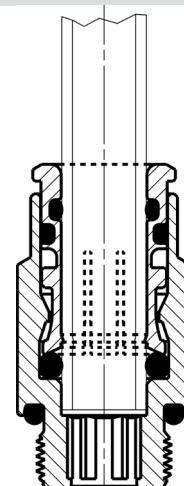
With its vast experience in manufacturing push-in connections for the pneumatics industry and its in-depth research into fluid power systems, Camozzi has developed Series 8000 super-rapid fitting evolving from Series 6000, which has been extensively tested in the pneumatic sector.

A patented additional seal provides a double tight on the tube, thus ensuring a highly reliable connection and avoiding any possible leakage that may occur. Connection and disconnection of the tube can be repeated several times without the use of proper tools and without compromising the performance of the fitting or the sealing on the tube. The NBR seals are standard and can be easily replaced with FKM and EDM seals.

## GENERAL DATA

<b>Materials</b>	body and gripper: nickel-plated brass seals: NBR
<b>Threads</b>	Gas cylindrical ISO-228 (BSP)
<b>Pressure</b>	min. - 0,9 - max. 60 bar The Series 8000 fittings have a working pressure of 60 bar but this would generally be limited by the type of tubing used.
<b>Tube to connect</b>	Polyamide (PA) 6 - 11 - 12, PU, Hytrel Polyester
<b>Diameters</b>	ø 4, 6, 8, 10, 12
<b>Fluid</b>	All fluids compatible with the fitting's materials requiring a leak-tight seal, e.g. water. For other fluids, please contact our technicians.
<b>Temperature</b>	-20°C ÷ 80°C

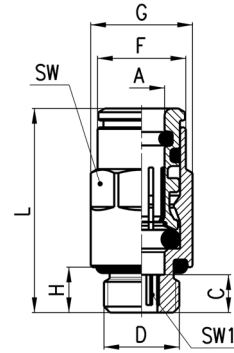
## Fitting with connecting tube



Fittings Mod. 8512  
BSP Male Connector



New diameter

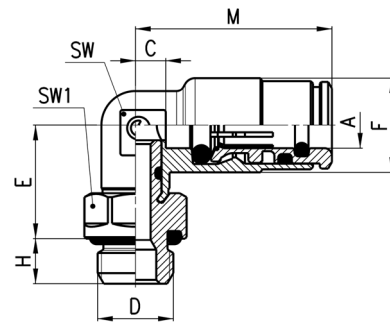


DIMENSIONS										
Mod.	A	D	C	F	G	H	L	SW	SW1	Weight (g)
8512 4-1/8	4	G1/8	5	8.8	13.5	6	23.8	12	2.5	14
8512 6-1/8	6	G1/8	5	11.7	13.5	6	27	12	4	15
8512 6-1/4	6	G1/4	6	11.7	16.4	7	28	15	4	25
8512 8-1/8	8	G1/8	8.5	13.7	15.2	6	32.5	14	5	20
8512 8-1/4	8	G1/4	7	13.7	16.4	7	31	15	6	24
8512 10-1/4	10	G1/4	10	16.3	18.5	7	36.5	17	7	32
8512 10-3/8	10	G3/8	4.5	16.3	20.5	7	31	19	8	38
8512 12-3/8	12	G 3/8	4.6	18.4	20.5	7	30.5	19	9	30
8512 12-1/2	12	G 1/2	5.6	18.4	24.8	8	31.5	22	9	50

Fittings Mod. 8522  
BSP Swivel Male Elbow

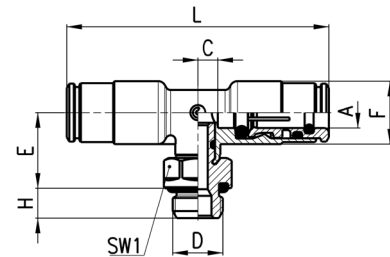


New diameter



DIMENSIONS										
Mod.	A	D	C	E	F	H	M	SW	SW1	Weight (g)
8522 4-1/8	4	G1/8	3	14.5	10	6	21.5	9	12	18
8522 6-1/8	6	G1/8	4	15	12.5	6	26	10	12	23
8522 6-1/4	6	G1/4	4	16	12.5	7	26	10	15	30
8522 8-1/8	8	G1/8	5	16	14.5	6	29	12	12	28
8522 8-1/4	8	G1/4	5	17	14.5	7	29	12	15	34
8522 10-1/4	10	G1/4	5	19.5	16.8	7	31.5	13	15	40
8522 10-3/8	10	G3/8	5	19.5	16.8	7	31.5	13	19	50
8522 12-3/8	12	G 3/8	7	20.5	19	7	33	15	19	55
8522 12-1/2	12	G 1/2	7	21.5	19	8	33	15	22	68

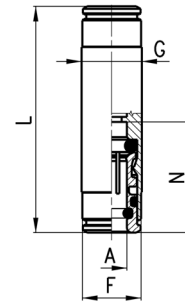
Fittings Mod. 8432  
BSP Swivel Male Tee



DIMENSIONS										
Mod.	A	D	C	E	F	H	L	SW1	Weight (g)	
8432 4-1/8	4	G1/8	3	14,5	10	6	43	12	25	
8432 6-1/8	6	G1/8	4	15	12,5	6	52	12	33	
8432 8-1/8	8	G1/8	5	16	14,5	6	58	12	42	
8432 8-1/4	8	G1/4	5	17	14,5	7	58	15	49	

Fittings Mod. 8580

Union Connector

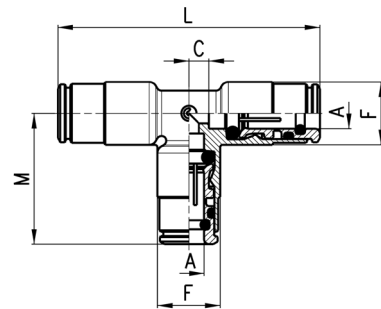


DIMENSIONS

Mod.	A	F	G	L	N	Weight (g)
<b>8580 4</b>	4	8,8	10	38	19	16
<b>8580 6</b>	6	11,7	12	45	22	23
<b>8580 8</b>	8	-	14	48	24	30

Fittings Mod. 8540

Tee Connector

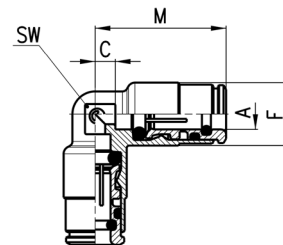


DIMENSIONS

Mod.	A	C	F	M	L	Weight (g)
<b>8540 4</b>	4	3	10	21,5	43	22
<b>8540 6</b>	6	4	12,5	26	52	35
<b>8540 8</b>	8	5	14,5	29	58	49

Fittings Mod. 8550

Elbow Connector



DIMENSIONS

Mod.	A	C	F	M	SW	Weight (g)
<b>8550 4</b>	4	3	10	21,5	9	15
<b>8550 6</b>	6	4	12,5	26	10	25
<b>8550 8</b>	8	5	14,5	29	12	34