

# Series VTCN bellows suction pads (round) - 2,5 folds

Series VTCN bellows suction pads, available in NBR or Silicone, are suitable to handle uneven workpiece surfaces or workpiece major height differences. Diameters from 5 to 52 mm with thread size M5, G1/8, G1/4, both male and female.



Series VTCN bellows suction pads (2,5 folds) have a rugged design and consist of a nipple and rubber part.

The nipples are inserted directly into the rubber part.

The rubber parts can also be ordered separately without nipples as spare parts.

Materials: NBR or Silicone

Applications:

- Handling of even or uneven workpieces such as plates for car bodies, tubes, cardboard boxes
- Handling of fragile workpieces such as electronics components, injection moulded pieces, etc
- Handling of welded pieces
- Silicone version for handling of pieces at high temperatures

- » Wide range of diameters, in NBR or Silicone versions.
- » Soft, tapered sealing lip for very good adaption to curved or uneven workpiece surfaces in general.
- » High suction force and optimal damping when placed on the workpiece.
- » Support on the bottom to avoid permanent deformation of the workpiece.
- » Very stiff top fold for good stability and good resistance towards transversal forces at high accelerations.
- » Very good compensation of possible height differences on the workpiece.
- » Optimised shape with 2,5 folds.

## GENERAL DATA

<b>Description</b>	wear resistant suction pad consisting of rubber part VTCN with 2,5 folds and connection nipple
<b>Construction</b>	nipples and suction pads are supplied not pre-assembled
<b>Maintenance</b>	it is possible to replace the rubber part
<b>Working temperature</b>	NBR version: -30°C + +120°C (for short time <30 sec.); -10°C + +70°C (long-term) SILICONE version: -50°C + +220°C (for short time <30 sec.); -30°C + +180°C (long-term)

## TECHNICAL DATA

Mod./Diameter	Suction force (N)*	Pull-off force (N)**	Volume (cm <sup>3</sup> )	Min. curve radius (mm) (convex)	Recommended internal tube diameter (mm)
VTCN-050	0,1	0,8	0,033	2	2
VTCN-070	0,1	0,9	0,043	3	4
VTCN-090	0,7	2,3	0,15	5	4
VTCN-120	0,9	3,5	0,6	6	4
VTCN-140	1,2	5,7	0,975	7	4
VTCN-180	2,3	8,5	1,35	9	4
VTCN-200	3,8	12,1	2	10	4
VTCN-250	4,5	19	5,4	12	4
VTCN-320	12	36,9	10	17	6
VTCN-420	13,6	44	19,5	24	6
VTCN-520	27	96	62	35	6

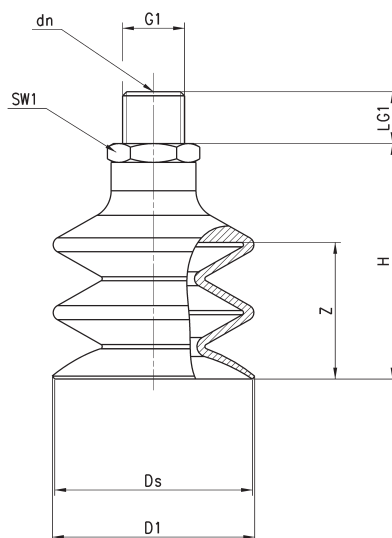
## CODING EXAMPLE

<b>VT</b>	<b>C</b>	<b>N</b>	<b>-</b>	<b>050</b>	<b>N</b>	<b>-</b>	<b>M5</b>	<b>M</b>
-----------	----------	----------	----------	------------	----------	----------	-----------	----------

<b>VT</b>	SERIES VT = Suction pad
<b>C</b>	SHAPE C = round
<b>N</b>	VERSION N = 2,5 bellows
<b>050</b>	DIAMETERS 050 = 5,0 mm 070 = 7,0 mm 090 = 9,0 mm 120 = 12,0 mm 140 = 14,0 mm 180 = 18,0 mm 200 = 20,0 mm 250 = 25,0 mm 320 = 32,0 mm 420 = 42,0 mm 520 = 52,0 mm
<b>N</b>	MATERIALS N = NBR S = Silicone
<b>M5</b>	THREAD SIZE M5 = M5 1/8 = G 1/8 1/4 = G 1/4
<b>M</b>	THREAD M = male F = female

Series VTCN suction pad - male thread

\* = N for suction pad in NBR  
 S for suction pad in Silicone  
 (add the required letter when placing an order)



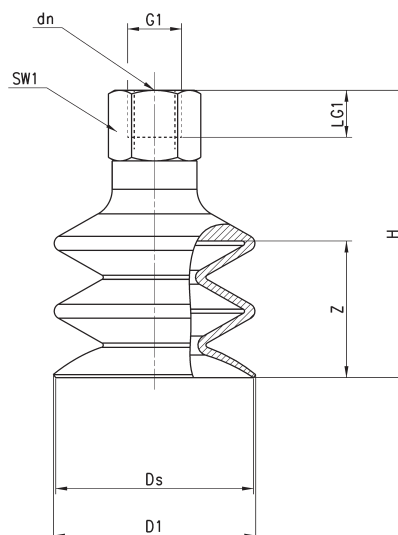
DIMENSIONS										
Suction pad with nipple	D1	dn	Ds	G1	H	LG1	SW1	Z	Suction pad	Nipple
VTCN-050*-M5M	5,5	2	5	M 5 M	18,5	5	8	3	VTCN-050*	NPV-E-M5-M
VTCN-070*-1/8M	6,5	3,5	5,9	G1/8 M	20	7,5	14	4	VTCN-070*	NPV-R-1/8-M
VTCN-070*-M5M	6,5	2,5	5,9	M 5 M	19	5	7	4	VTCN-070*	NPV-D-M5-M
VTCN-090*-1/8M	9,3	3,5	9	G1/8 M	21	7,5	14	3	VTCN-090*	NPV-R-1/8-M
VTCN-090*-M5M	9,3	2,5	9	M 5 M	20	5	7	3	VTCN-090*	NPV-D-M5-M
VTCN-120*-1/8M	12,7	3,5	12	G1/8 M	27	7,5	14	7	VTCN-120*	NPV-R-1/8-M
VTCN-120*-M5M	12,7	2,5	12	M 5 M	26	5	7	7	VTCN-120*	NPV-D-M5-M
VTCN-140*-1/8M	15	3,5	14,5	G1/8 M	28	7,5	14	9	VTCN-140*	NPV-R-1/8-M
VTCN-140*-M5M	15	2,5	14,5	M 5 M	27	5	7	9	VTCN-140*	NPV-D-M5-M
VTCN-180*-1/8M	18,5	3,5	17,2	G1/8 M	28	7,5	14	9	VTCN-180*	NPV-R-1/8-M
VTCN-180*-M5M	18,5	2,5	17,2	M 5 M	27	5	7	9	VTCN-180*	NPV-D-M5-M
VTCN-200*-1/8M	20	3,5	20	G1/8 M	28	7,5	14	9	VTCN-200*	NPV-R-1/8-M
VTCN-200*-M5M	20	2,5	20	M 5 M	27	5	7	9	VTCN-200*	NPV-D-M5-M
VTCN-250*-1/8M	24,7	3,5	23	G1/8 M	40	7,5	14	18	VTCN-250*	NPV-R-1/8-M
VTCN-320*-1/4M	32,6	4,4	32	G1/4 M	41,5	11	17	15	VTCN-320*	NPV-S-1/4-M
VTCN-420*-1/4M	43,5	4,4	42,6	G1/4 M	50	11	17	20	VTCN-420*	NPV-S-1/4-M
VTCN-520*-1/4M	52,5	4,4	52,5	G1/4 M	53	11	17	25	VTCN-520*	NPV-S-1/4-M



Tolerances for elastomer parts according to M3 - DIN 7715

Series VTCN suction pad - female thread

\* = N for suction pad in NBR  
 S for suction pad in Silicone  
 (add the required letter when placing an order)



DIMENSIONS										
Suction pad with nipple	D1	dn	Ds	G1	H	LG1	SW1	Z	Suction pad	Nipple
VTCN-050*-M5F	5,5	2	5	M 5 F	18,5	5	8	3	VTCN-050*	NPV-E-M5-F
VTCN-070*-1/8F	6,5	3,5	5,9	G1/8 F	26	8,5	14	4	VTCN-070*	NPV-R-1/8-F
VTCN-090*-1/8F	9,3	3,5	9	G1/8 F	27	8,5	14	3	VTCN-090*	NPV-R-1/8-F
VTCN-120*-1/8F	12,7	3,5	12	G1/8 F	33	8,5	14	7	VTCN-120*	NPV-R-1/8-F
VTCN-140*-1/8F	15	3,5	14,5	G1/8 F	34	8,5	14	9	VTCN-140*	NPV-R-1/8-F
VTCN-180*-1/8F	18,5	3,5	17,2	G1/8 F	34	8,5	14	9	VTCN-180*	NPV-R-1/8-F
VTCN-200*-1/8F	20	3,5	20	G1/8 F	34	8,5	14	9	VTCN-200*	NPV-R-1/8-F
VTCN-250*-1/8F	24,7	3,5	23	G1/8 F	46	8,5	14	18	VTCN-250*	NPV-R-1/8-F
VTCN-320*-1/4F	32,6	4,4	32	G1/4 F	52,5	12	17	15	VTCN-320*	NPV-S-1/4-F
VTCN-420*-1/4F	43,5	4,4	42,6	G1/4 F	61	12	17	20	VTCN-420*	NPV-S-1/4-F
VTCN-520*-1/4F	52,5	4,4	52,5	G1/4 F	64	12	17	25	VTCN-520*	NPV-S-1/4-F



Tolerances for elastomer parts according to M3 - DIN 7715