

Series N lubricators

Ports G1/8, G1/4
with screw-on transparent bowl



Series N lubricators are available with G1/4 and G1/8 ports.

The special type of design allows a vast range of applications in relation to the amount of atomized oil and the air consumed.

The body of the lubricator is made of brass, while the bowl is transparent.

GENERAL DATA

Construction	compensation valve
Materials	brass, technopolymer, NBR
Ports	G1/8 - G1/4
Oil capacity cm³	size 1: 26 cm ³ size 2: 37 cm ³
Weight	kg 0,240
Mounting	vertical, inline
Operating temperature	-5°C + 50°C at 10 bar (with the dew point of the fluid lower than 2°C at the min. working temperature)
Oil refilling	without pressure
Oil for lubricator	from 3°E + 10°E (ask our engineers for types available)
Operating pressure	1 ÷ 16 bar
Nominal flow	see graph
Min. air consumpt. for lubricat.	at 1 bar = 7,5 NI/min at 6 bar = 11 NI/min

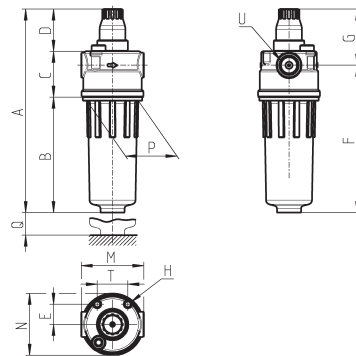
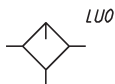
CODING EXAMPLE

N	2	04	-	L	00
----------	----------	-----------	----------	----------	-----------

N	SERIES
2	SIZE: 1 = small bowl 2 = normal bowl
04	PORTS: 08 = G1/8 04 = G1/4
L	L = LUBRICATOR
00	DESIGN TYPE: 00 = atomized oil

3

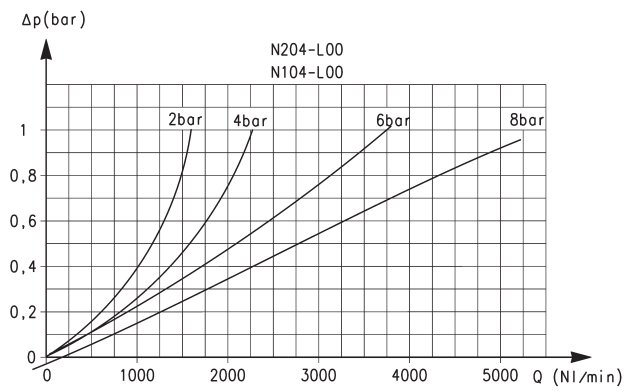
TREATMENT

Lubricators Series N

DIMENSIONS

Mod.	A	B	C	D	E	F	G	H	M	N	P	Q	T	U
N108-L00	122,5	59	33	30,5	75,5	82	40,5	M5	45	44,5	38	46,5	22	G1/8
N104-L00	122,5	59	33	30,5	75,5	82	40,5	M5	45	44,5	38	46,5	22	G1/4
N208-L00	146,5	83	33	30,5	14,5	106	40,5	M5	45	44,5	38	46,5	22	G1/8
N204-L00	146,5	83	33	30,5	14,5	106	40,5	M5	45	44,5	38	46,5	22	G1/4

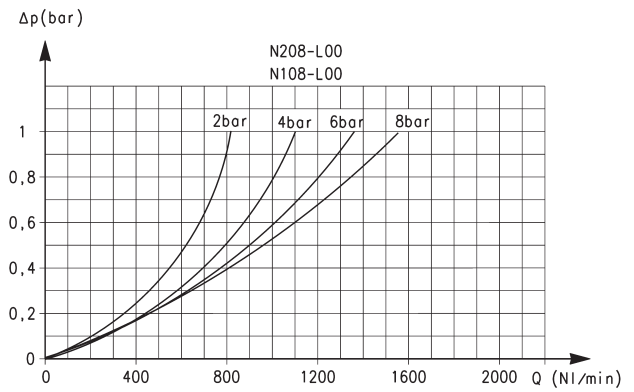
3/4.15.02

FLOW DIAGRAMS



Flow diagrams for models: N204-L00 and N104-L00

ΔP = Pressure drop
Q = Flow



Flow diagrams for models: N208-L00 and N108-L00

ΔP = Pressure drop
Q = Flow